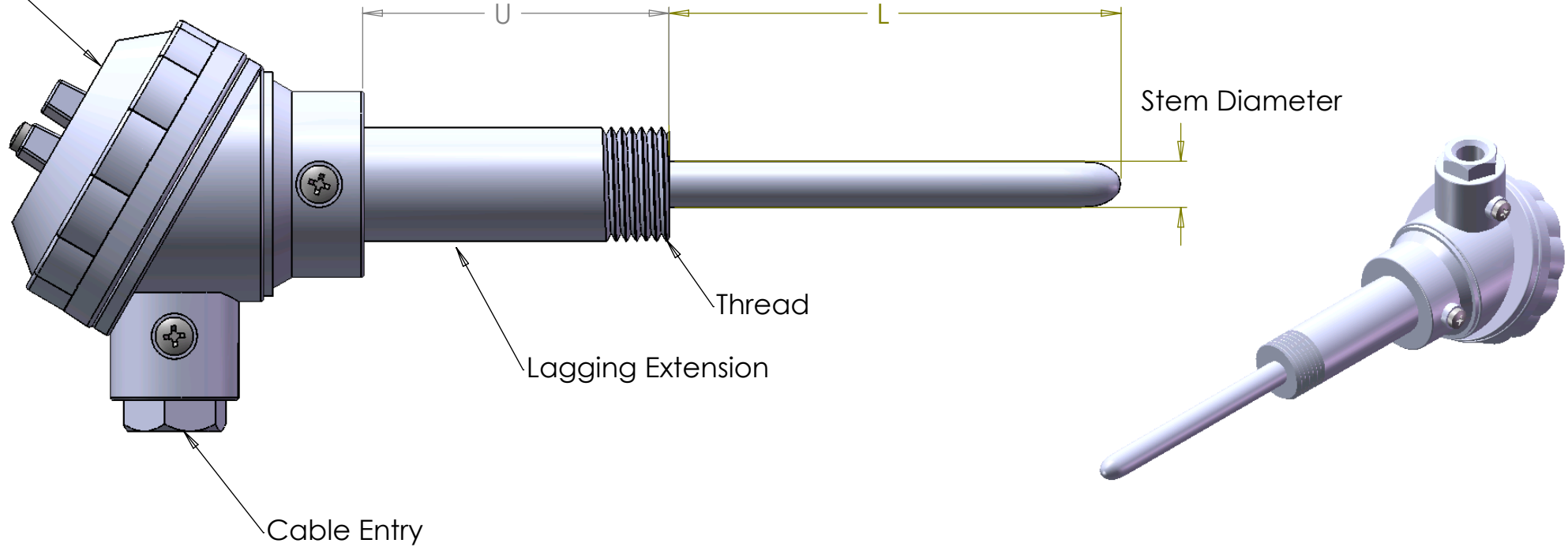


Large Terminal Head



Notes : Stem may be spring loaded if required.  
: Metric size stems available.

<u>RANGE</u>	<u>STEM</u> $\leftarrow L \rightarrow$	<u>HEAD MATERIAL</u>
Min Temp .....(°C)	3mm x .....	Aluminium
	4.7mm x .....	Stainless Steel
Max Temp.....(°C)	6.3mm x .....	Bakelight
	9.5mm x .....	Nylon
	Other .....	
<u>SENSOR TYPE</u>	<u>LAG</u> $\leftarrow U \rightarrow$	<u>CONNECTOR</u>
Pt100	75mm Lagging	3 Terminal
Duplex Pt100	Other.....	4 Terminal *
Other.....	1/2" BSP	None
	3/4" BSP	Other.....
		* required with a duplex sensor

SERVOTECH INSTRUMENTATION LTD  
6 WILLIAM PICKERING DRIVE  
ALBANY  
AUCKLAND, NEW ZEALAND  
PHONE: 64-9-415 8362  
FAX: 64-9-415 8361  
EMAIL: sales@servotech.co.nz  
WEBSITE: www.servotech.co.nz



TITLE: RTD PROBE WITH LAGGING EXTENSION	
DRAWN BY: AC APPROVED BY: KV	DATE: 7/3/13
GENERIC NO. <b>RO8</b>	A4
SCALE: NTS	MATERIAL:

UNLESS OTHERWISE SPECIFIED,  
ALL DIMENSIONS ARE IN mm

THIS DRAWING IS EXCLUSIVE  
PROPERTY OF SERVOTECH  
INSTRUMENTATION LTD AND  
SHOULD NOT BE COPIED OR  
HANDLED TO OTHER PARTIES  
WITHOUT PRIOR PERMISSION.