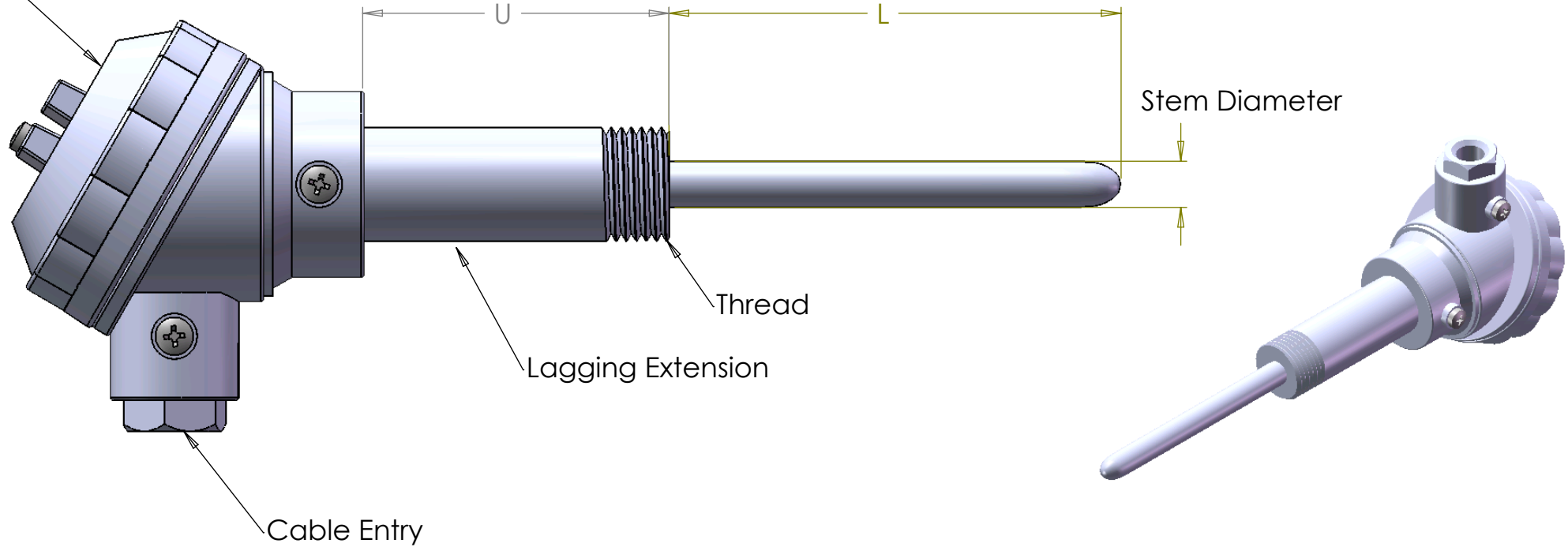


Large Terminal Head



Notes : Stem may be spring loaded if required.
: Metric size stems available.

<u>RANGE</u>	<u>STEM</u> $\leftarrow L \rightarrow$	<u>HEAD MATERIAL</u>
Min Temp(°C)	3mm x	Aluminium
	4.7mm x	Stainless Steel
Max Temp.....(°C)	6.3mm x	Bakelight
	9.5mm x	Nylon
	Other	
<u>SENSOR TYPE</u>	<u>LAG</u> $\leftarrow U \rightarrow$	<u>CONNECTOR</u>
Pt100	75mm Lagging	3 Terminal
Duplex Pt100	Other.....	4 Terminal *
Other.....	1/2" BSP	None
	3/4" BSP	Other.....
		* required with a duplex sensor

SERVOTECH INSTRUMENTATION LTD
6 WILLIAM PICKERING DRIVE
ALBANY
AUCKLAND, NEW ZEALAND
PHONE: 64-9-415 8362
FAX: 64-9-415 8361
EMAIL: sales@servotech.co.nz
WEBSITE: www.servotech.co.nz



TITLE: RTD PROBE WITH LAGGING EXTENSION	
DRAWN BY:	DATE:
GENERIC NO. RO8	A4
SCALE: NTS	MATERIAL:

UNLESS OTHERWISE SPECIFIED,
ALL DIMENSIONS ARE IN mm

THIS DRAWING IS EXCLUSIVE
PROPERTY OF SERVOTECH
INSTRUMENTATION LTD AND
SHOULD NOT BE COPIED OR
HANDLED TO OTHER PARTIES
WITHOUT PRIOR PERMISSION.