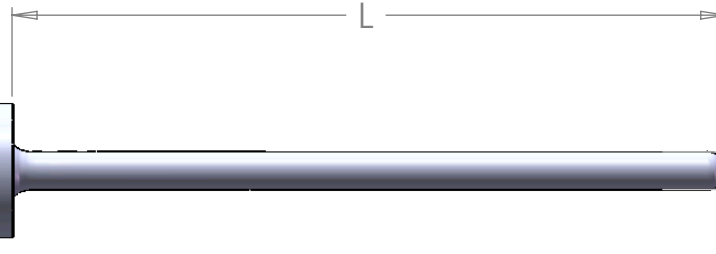
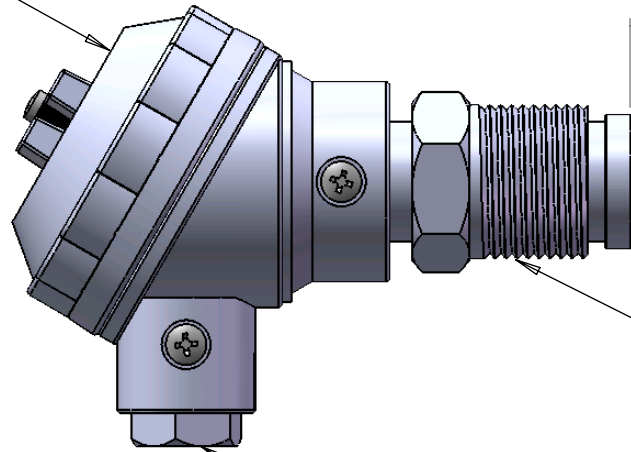


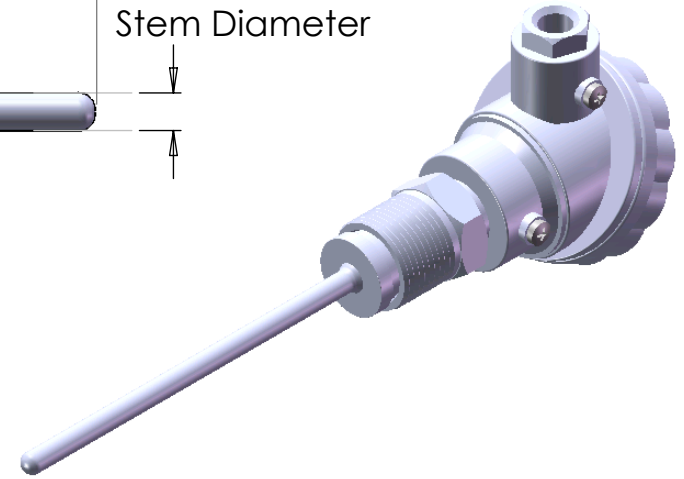
Termination Head



Stem Diameter

Running Nut

Cable Entry



RANGE

Min Temp(°C)

Max Temp.....(°C)

SENSOR TYPE

Standard Response
Pt100
Duplex
Other.....

STEM ← L →

6.35mm x
Other

HEAD MATERIAL

Stainless Steel
Bakelight
Nylon
Polypropylene

RUNNING NUT

1/2"
3/4"

HEAD

Large
Small
Other.....

CONNECTOR

3 Terminal
6 Terminal *
None
Other.....
* required with a duplex sensor

SERVOTECH INSTRUMENTATION LTD
6 WILLIAM PICKERING DRIVE
ALBANY
AUCKLAND, NEW ZEALAND
PHONE: 64-9-415 8362
FAX: 64-9-415 8361
EMAIL: sales@servotech.co.nz
WEBSITE: www.servotech.co.nz

UNLESS OTHERWISE SPECIFIED,
ALL DIMENSIONS ARE IN mm

THIS DRAWING IS EXCLUSIVE
PROPERTY OF SERVOTECH
INSTRUMENTATION LTD AND
SHOULD NOT BE COPIED OR
HANDLED TO OTHER PARTIES
WITHOUT PRIOR PERMISSION.



Temperature management by design



TITLE: **RUNNING NUT STYLE
RTD SANITARY PROBE**

DRAWN BY: _____ DATE: _____

GENERIC NO. **R27N** A4

SCALE: NTS MATERIAL: _____