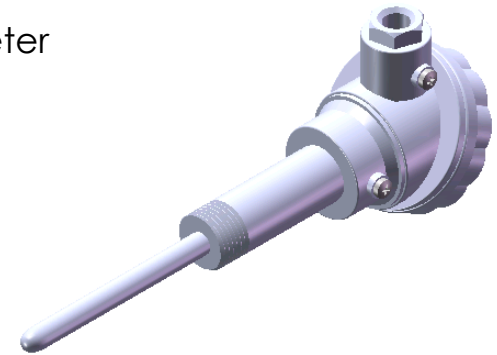
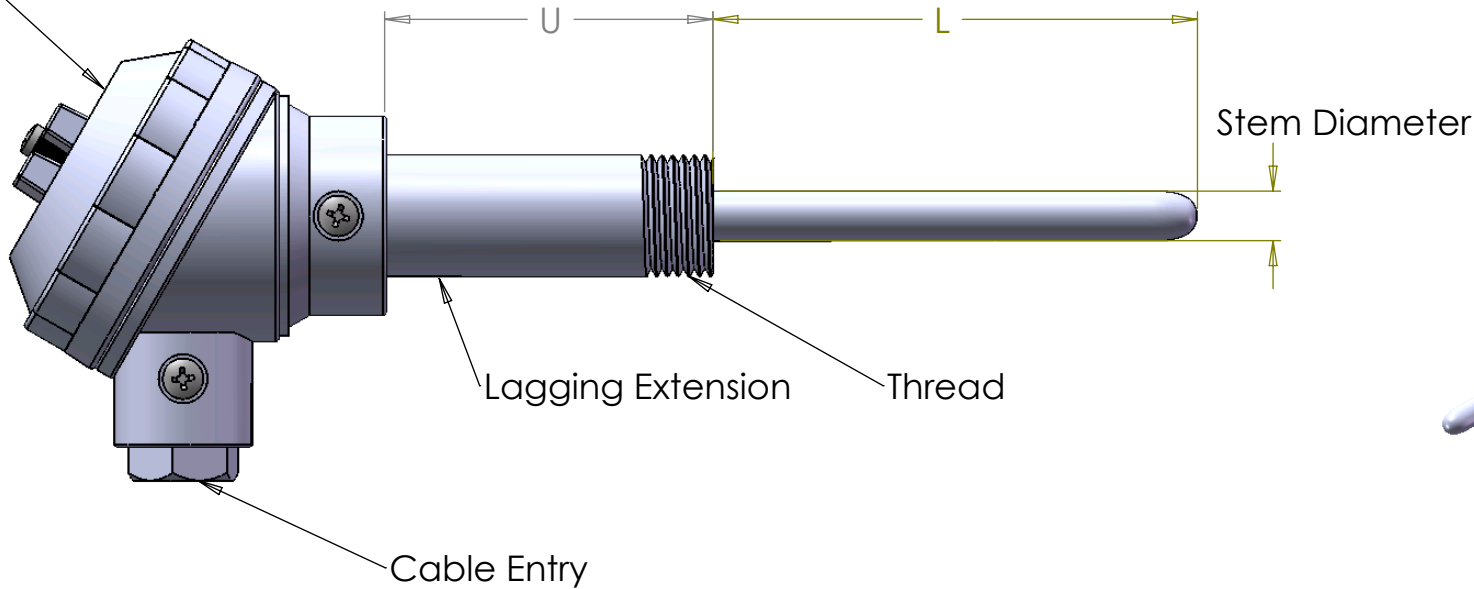


Large Terminal Head



Note : Stem may be spring loaded if required

<u>RANGE</u>	<u>STEM</u> $\leftarrow L \rightarrow$	<u>HEAD MATERIAL</u>
Min Temp(°C)	3mm x	Aluminium
Max Temp.....(°C)	4.5mm x	Stainless Steel
	6mm x	Bakelight
	9.5mm x	Nylon
	Other	
<u>SENSOR TYPE</u>	<u>LAG</u> $\leftarrow U \rightarrow$	<u>CONNECTOR</u>
Type K	75mm Lagging	2 Terminal
Type J	Other.....	4 Terminal *
Duplex	1/2" BSP	None
Other.....	3/4" BSP	Other.....
		* required with a duplex sensor

SERVOTECH INSTRUMENTATION LTD
 6 WILLIAM PICKERING DRIVE
 ALBANY
 AUCKLAND, NEW ZEALAND
 PHONE: 64-9-415 8362
 FAX: 64-9-415 8361
 EMAIL: sales@servotech.co.nz
 WEBSITE: www.servotech.co.nz



TITLE: THERMOCOUPLE PROBE WITH LAGGING EXTENSION	
DRAWN BY:	DATE:
GENERIC NO. TO8	A4
SCALE: NTS	MATERIAL:

UNLESS OTHERWISE SPECIFIED, ALL DIMENSIONS ARE IN mm

THIS DRAWING IS EXCLUSIVE PROPERTY OF SERVOTECH INSTRUMENTATION LTD AND SHOULD NOT BE COPIED OR HANDED TO OTHER PARTIES WITHOUT PRIOR PERMISSION.