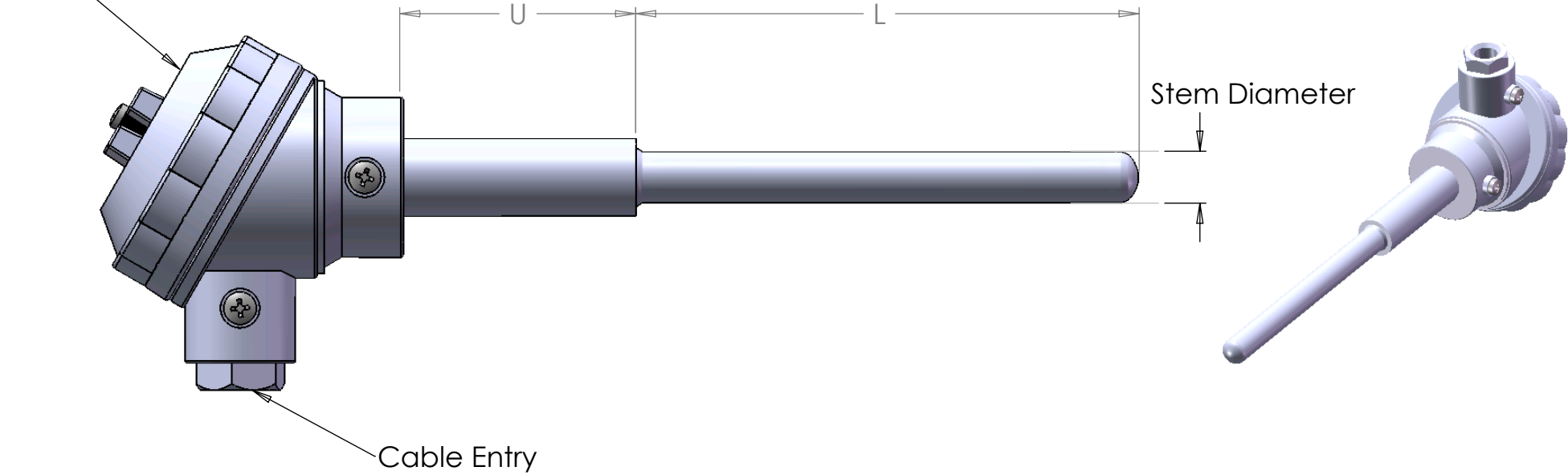


Large Aluminium Head





<u>RANGE</u>	<u>STEM</u> $\leftarrow L \rightarrow$	<u>CERAMIC MATERIAL</u>
Min Temp .....(°C)	10mm x .....	ALSINT - Up To 1700 °C KER610 - Up To 1600 °C
Max Temp.....(°C)	15mm x .....	
	20mm x .....	
	Other .....	
<u>SENSOR TYPE</u>	<u>LAG</u> $\leftarrow U \rightarrow$	<u>CONNECTOR</u>
Type K      Type R	100mm Other.....	2 Terminal
Type N      Type S		4 Terminal *
Duplex		None
Other.....		Other.....
		* required with a duplex sensor

SERVOTECH INSTRUMENTATION LTD  
6 WILLIAM PICKERING DRIVE  
ALBANY  
AUCKLAND, NEW ZEALAND  
PHONE: 64-9-415 8362  
FAX: 64-9-415 8361  
EMAIL: sales@servotech.co.nz  
WEBSITE: www.servotech.co.nz

UNLESS OTHERWISE SPECIFIED,  
ALL DIMENSIONS ARE IN mm

THIS DRAWING IS EXCLUSIVE  
PROPERTY OF SERVOTECH  
INSTRUMENTATION LTD AND  
SHOULD NOT BE COPIED OR  
HANDLED TO OTHER PARTIES  
WITHOUT PRIOR PERMISSION.

 <i>Temperature management by design</i>		
TITLE: THERMOCOUPLE PROBE WITH CERAMIC SHEATH		
DRAWN BY:	DATE:	
GENERIC NO. T10	A4	
SCALE: NTS	MATERIAL:	