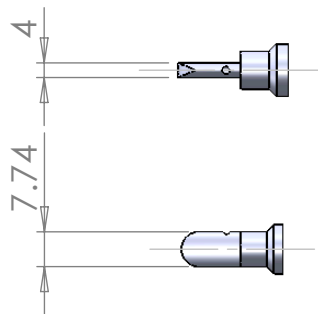


Detail A

Detail A





<u>RANGE</u>	<u>BOLT</u> $\leftarrow L \rightarrow$	<u>BOLT THREAD</u>	
Min Temp .....(°C)		1/2" UNF	
Max Temp.....(°C)	.....	Other.....	
<u>SENSOR TYPE</u>	<u>U LENGTH</u>	<u>CONNECTOR</u>	<u>T LENGTH</u>
Type K Type J Duplex Other.....	.....	Standard Plug Other.....	.....

SERVOTECH INSTRUMENTATION LTD  
 6 WILLIAM PICKERING DRIVE  
 ALBANY  
 AUCKLAND, NEW ZEALAND  
 PHONE: 64-9-415 8362  
 FAX: 64-9-415 8361  
 EMAIL: sales@servotech.co.nz  
 WEBSITE: www.servotech.co.nz

UNLESS OTHERWISE SPECIFIED,  
 ALL DIMENSIONS ARE IN mm

THIS DRAWING IS EXCLUSIVE  
 PROPERTY OF SERVOTECH  
 INSTRUMENTATION LTD AND  
 SHOULD NOT BE COPIED OR  
 HANDED TO OTHER PARTIES  
 WITHOUT PRIOR PERMISSION.

 <i>Temperature management by design</i>		
<b>TITLE:</b> DUAL MELT BOLT THERMOCOUPLE WITH FLEXIBLE LEAD		
DRAWN BY:		DATE:
GENERIC NO.		T55
		A4
SCALE: NTS	MATERIAL:	