

# ALL SS PRESSURE GAUGE

**WAAREE**

## BOURDON TYPE

**AD**

### SPECIAL FEATURES

- STAINLESS STEEL CASE & MEASURING SYSTEM
- DRY OR LIQUID FILLED
- ACCURACY UPTO  $\pm 1.6\%$
- STANDARD FOLLOWED EN 837 - 1

### APPLICATIONS

FOOD & BEVERAGE, PHARMACEUTICAL, CRYOGENICS, CHEMICAL & PETROCHEMICAL INDUSTRIES, CONVENTIONAL & NUCLEAR POWER PLANTS, PUMPS, HYDRO-CLEANING MACHINES, PRESSES, ENGINE COMPRESSORS, TURBINES, DIESEL ENGINES & REFRIGERATING PLANTS.



### SPECIFICATIONS

#### STANDARD VERSION : 63mm

Accuracy	:	$\pm 1.6\%$ of F.S.
Ambient temperature	:	- 40°C to + 60°C
Process temperature	:	Max 180°C
Operating pressure	:	75 % of the Scale Value
Over pressure limit	:	30 % for Pressure Ranges upto 400kg/cm <sup>2</sup> 15 % for Pressure Ranges above 400kg/cm <sup>2</sup>
Case	:	AISI 304 SS
Ring	:	AISI 304 SS, Bayonet Type
Socket	:	AISI 316 SS
Bourdon	:	AISI 316 SS
Movement	:	AISI 304 SS
Joints	:	Tig Argon Arc Welding
Protection	:	IP 65
Dial	:	Aluminium, black graduation on white background
Pointer	:	Aluminium, black Coloured, Fixed
Window	:	Plexi Glass
Gasket	:	Silicon rubber
Filling Plug	:	Neoprene

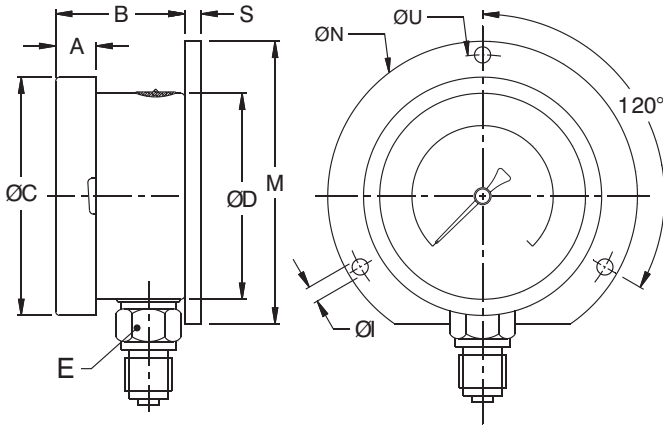
#### GLYCERINE FILLED VERSION (OPTION PY)

Process Temperature	:	Max. 65°C
Ambient Temperature	:	Max. 65°C
Window	:	Plexi Glass
Dampening Liquids	:	Glycerine 98 %
Other Features	:	Refer Specification of Standard Version

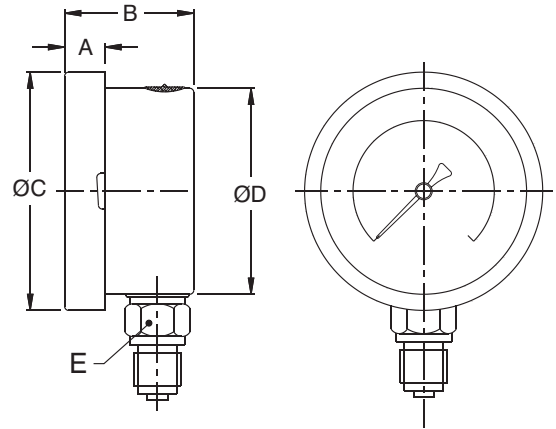
#### DRY BUT FILLABLE VERSION

Option Code	:	Fillable Dampening Liquid
FG	:	For Glycerine 98%
FS	:	For Silicon Oil

TYPE 1



TYPE 2



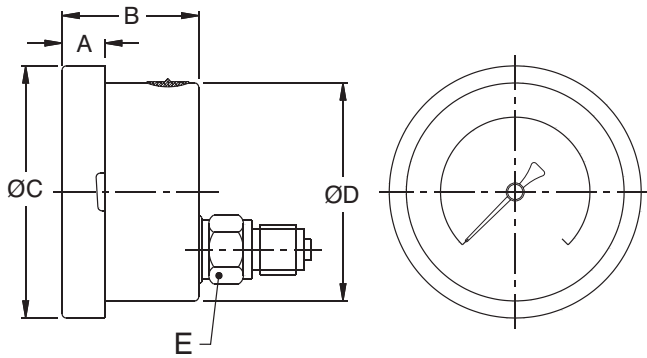
BAYONET TYPE (STANDARD)

NS	A	B	ØC	ØD	E	S	ØN	ØI	ØU	M	Weight in gram (With Box)
63	9	31	69.5	62.5	A/F 14	5	88	5	76	80	222.0

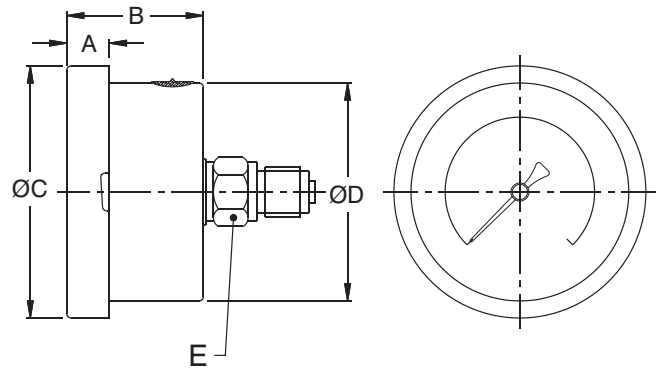
BAYONET TYPE (STANDARD)

NS	A	B	ØC	ØD	E	Weight in gram (With Box)
63	9	31	69.5	62.5	A/F 14	179.0

TYPE 3



TYPE 4



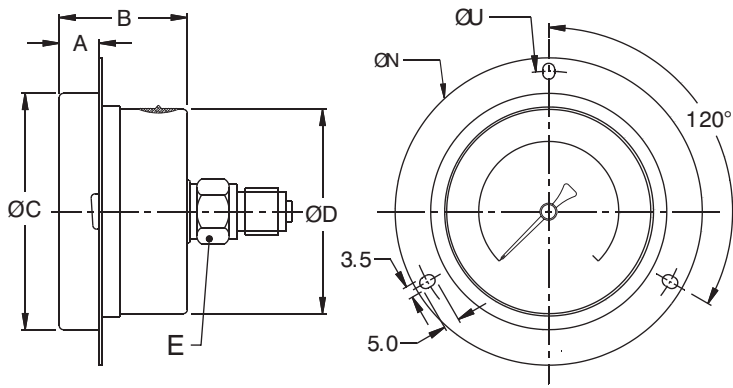
BAYONET TYPE (STANDARD)

NS	A	B	ØC	ØD	E	Weight in gram (With Box)
63	9	31	69.5	62.5	A/F 14	187.0

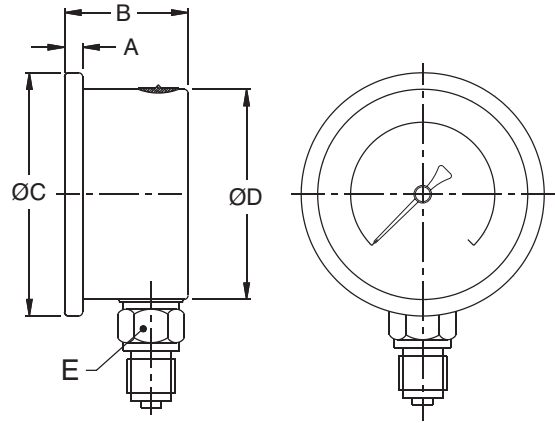
BAYONET TYPE (STANDARD)

NS	A	B	ØC	ØD	E	Weight in gram (With Box)
63	9	31	69.5	62.5	A/F 14	187.0

TYPE 5



TYPE 2



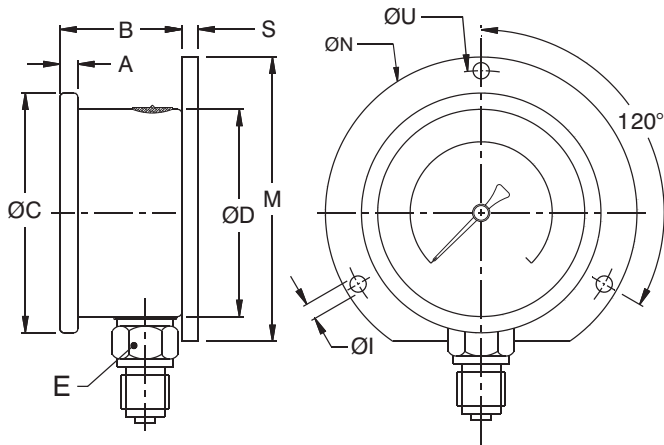
BAYONET TYPE (STANDARD)

NS	A	B	ØC	ØD	E	ØN	ØU	Weight in gram (With Box)
63	9	31	69.5	62.5	A/F 14	85.5	76	226.0

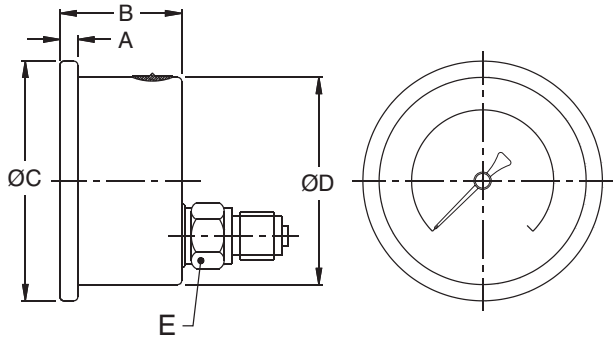
ROLLING TYPE (OPTION)

NS	A	B	ØC	ØD	E	Weight in gram (With Box)
63	6.5	30	68	62.5	A/F 14	164.5

TYPE 1



TYPE 3



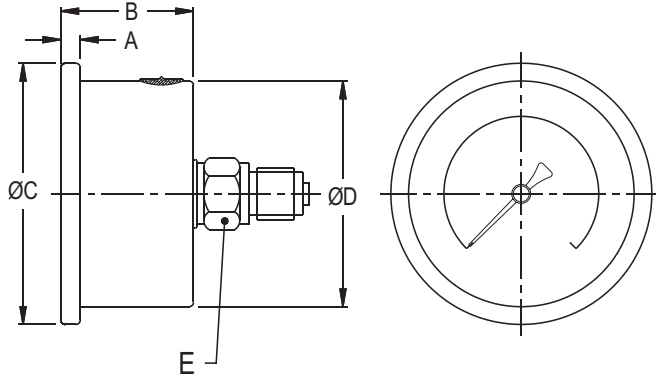
ROLLING TYPE (OPTION)

NS	A	B	ØC	ØD	E	S	ØN	ØI	ØU	M	Weight in gram (With Box)
63	6.5	30	68	62.5	A/F 14	5	88	5	76	80	205.5

ROLLING TYPE (OPTION)

NS	A	B	ØC	ØD	E	Weight in gram (With Box)
63	6.5	30	68	62.5	A/F 14	165

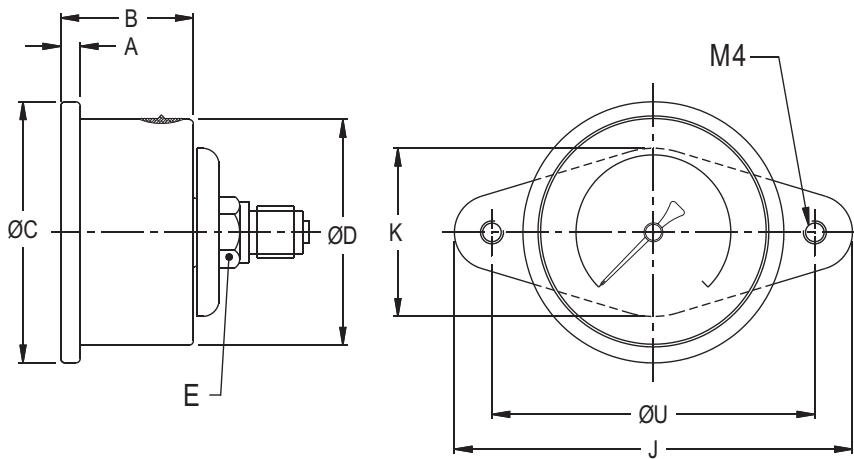
TYPE - 4



ROLLING TYPE (OPTION)

NS	A	B	ØC	ØD	E	Weight in gram (With Box)
63	6.5	30	68	62.5	A/F 14	165

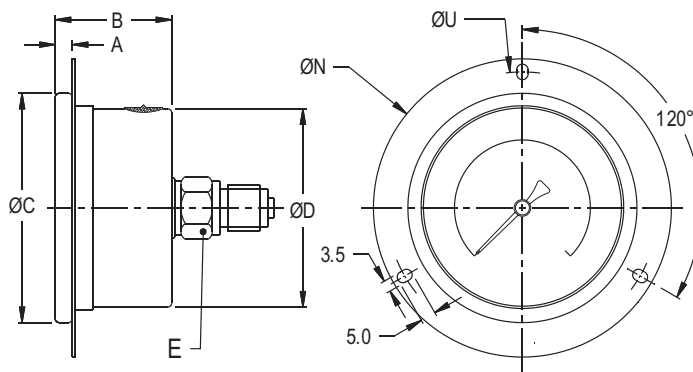
TYPE - 9



ROLLING TYPE (STANDARD)

NS	A	B	ØC	ØD	E	J	K	ØU	Weight in gram (With Box)
63	6.5	30	68	62.5	A/F 14	91	38	70.5	204.5

TYPE - 5



ROLLING TYPE (OPTION)

NS	A	B	ØC	ØD	E	ØN	ØU	Weight in gram (With Box)
63	6.5	30	68	62.5	A/F 14	85.5	76	226.0

Notes : • Drawings are not to scale. • All Dimensions are in mm. • NS = Nominal Size

## RANGE TABLE

**Note :** Waaree offers Pressure ranges, Vacuum ranges and Compound ranges in Scales like kPa, MPa, bar, psi, kg/cm<sup>2</sup> & Dual Scale like kPa with psi, kPa with bar, bar with psi or scales as per the requirement can be provided on request.

Following are the example tables for kg/cm<sup>2</sup> & psi scales

### PRESSURE RANGE

RANGE (PSI with kg/cm <sup>2</sup> )			
RANGE PSI	RANGE kg/cm <sup>2</sup>	RANGE PSI	RANGE kg/cm <sup>2</sup>
-30 inHg / 0	-760 mmHg / 0	0/3000 psi	0/210 kg/cm <sup>2</sup>
0/15 psi	0/1 kg/cm <sup>2</sup>	0/4000 psi	0/280 kg/cm <sup>2</sup>
0/30psi	0/2 kg/cm <sup>2</sup>	0/5000 psi	0/350 kg/cm <sup>2</sup>
0/60 psi	0/4 kg/cm <sup>2</sup>	0/6000 psi	0/400 kg/cm <sup>2</sup>
0/100 psi	0/7 kg/cm <sup>2</sup>	0/10000 psi	0/700 kg/cm <sup>2</sup>
0/150 psi	0/10 kg/cm <sup>2</sup>	0/15000 psi	0/1000 kg/cm <sup>2</sup>
0/200 psi	0/14 kg/cm <sup>2</sup>	- 30inHg/15	- 1/1 kg/cm <sup>2</sup>
0/300 psi	0/21 kg/cm <sup>2</sup>	- 30inHg /30	- 1/2 kg/cm <sup>2</sup>
0/400 psi	0/28 kg/cm <sup>2</sup>	- 30inHg /60	- 1/3 kg/cm <sup>2</sup>
0/500 psi	0/35 kg/cm <sup>2</sup>	- 30inHg /100	- 1/6 kg/cm <sup>2</sup>
0/600 psi	0/40 kg/cm <sup>2</sup>	- 30inHg /150	- 1/9 kg/cm <sup>2</sup>
0/1000 psi	0/70 kg/cm <sup>2</sup>	- 30inHg /200	- 1/15 kg/cm <sup>2</sup>
0/1500 psi	0/100 kg/cm <sup>2</sup>	- 30inHg /300	- 1/20 kg/cm <sup>2</sup>
0/2000 psi	0/140 kg/cm <sup>2</sup>	- 30inHg /350	- 1/24 kg/cm <sup>2</sup>

### AMMONIA WITH TEMPERATURE SCALE

- 30 inHg / 150 psi	- 1 / 12.5 kg/cm <sup>2</sup>	- 1 / 25 kg/cm <sup>2</sup>
- 30 inHg / 300 psi	- 1 / 16 kg/cm <sup>2</sup>	

### FREON WITH TEMPERATURE SCALE

- 30 inHg / 150 psi	0/300 psi
- 30 inHg / 300 psi	0/500 psi

### ACCESSORIES †

<b>EC</b> GAUGE COCK	<b>EG</b> SNUBBER	<b>DX</b> DIAPHRAGM SEAL
<b>ED</b> GAUGE SAVER	<b>EH</b> SIPHON	
<b>*</b> NEEDLE VALVE	<b>EB</b> COOLING TOWER	

† Refer Datasheet for complete specifications

\* Refer catalogue for Valves & Manifolds

## HOW TO ORDER

### BASIC MODEL

<b>CODE</b>	D
<b>NOMINAL SIZE (MM)</b>	63

### TYPE OF MOUNTING

- 1 SURFACE / WALL / PROJECTION MOUNTING WITH BOTTOM ENTRY
- 2 DIRECT BOTTOM ENTRY
- 3 DIRECT LOWER BACK ENTRY
- 4 DIRECT CENTRE BACK ENTRY
- 5 FLUSH PANEL BACK ENTRY WITH FRONT FLANGE
- 9 BACK ENTRY WITH MOUNTING BRACKET (ROLLING TYPE DESIGN ONLY)

### GAUGE CONNECTION

<b>1BM</b>	1/8" BSP(M)	<b>1TM</b>	1/8" BSPT(M)
<b>1NM</b>	1/8" NPT(M)	<b>2TM</b>	1/4" BSPT(M)
<b>2BM</b>	1/4" BSP(M) STANDARD		
<b>2NM</b>	1/4" NPT(M) STANDARD		

**Note :** Connections like PT/PF/Flaired /UNF/G/R etc.can be provided on request.  
Non standard connections can be provided through adaptors.

### RANGE

REFER TABLES

### OPTIONS

FOR NON STANDARD PRODUCTS/OPTIONAL ITEMS, PLEASE CONTACT FACTORY FOR DELIVERY AND MINIMUM QUANTITY OF ORDER.

<b>RH</b>	CUSTOM DESIGNED DIAL	<b>RZ</b>	TOUGHENED GLASS
<b>SG</b>	OXYGEN SERVICE (WITHOUT DAMPENING LIQUIDS)	<b>SX</b>	SS TAG PLATE
<b>PS</b>	AISI 316 SS CASE & BEZEL	<b>TB</b>	HELIUM LEAK TEST
<b>PW</b>	FIVE POINT CALIBRATION CERTIFICATE	<b>FS</b>	FILLABLE LIQUID SILICON OIL*
<b>PZ</b>	DAMPENING LIQUID MINERAL LIQUID FILLED	<b>FG</b>	FILLABLE LIQUID GLYCERINE
<b>PX</b>	DAMPENING LIQUID FLOUROLUBE FILLED	<b>QB</b>	INTEGRAL DAMPENING SCREW IN AISI 316 SS
<b>PY</b>	DAMPENING LIQUID GLYCERINE FILLED	<b>ZC</b>	FREON RANGE (WITH TEMPERATURE SCALE)
<b>QA</b>	DAMPENING LIQUID SILICON OIL FILLED*	<b>ZD</b>	AMMONIA RANGE (WITH TEMPERATURE SCALE)
<b>RX</b>	SHATTERPROOF / SAFETY GLASS(FOR BAYONET TYPE DESIGN)	<b>SJ</b>	MAXIMUM READING POINTER
<b>RI</b>	25 MM BOD (EXCEPT MOUNTING 4, 5 AND 9)	<b>SY</b>	TRIANGLE TYPE SURFACE MOUNTING PLATE
<b>SQ</b>	CASE WITH ROLLING TYPE BEZEL	<b>SZ</b>	WELDED SOCKET TO THE CASE
<b>OB</b>	ACCURACY $\pm 1.0\%$ OF F.S.(WITHOUT OPTION DAMPENING LIQUID)		

\* GASKET, BOD & FILLING PLUG OF VITON / NBR

### Ordering Example:

**AD - D - 2 - 2NM - 0/10kg/cm<sup>2</sup> - PY**

**Note :** ● Due to continuous improvement, the specification may vary from time to time.