

THERMOCOUPLE PROBE with HEAD

Range

3mm 1070°C
 (except J) 760°C
 4.5, 6, &
 10mm 1150°C

Code Head Stem Dia Lgth Thread

e.g. T08S6100B2

T08 Small Head 6x100mm Stem 1/2" BSP Thread

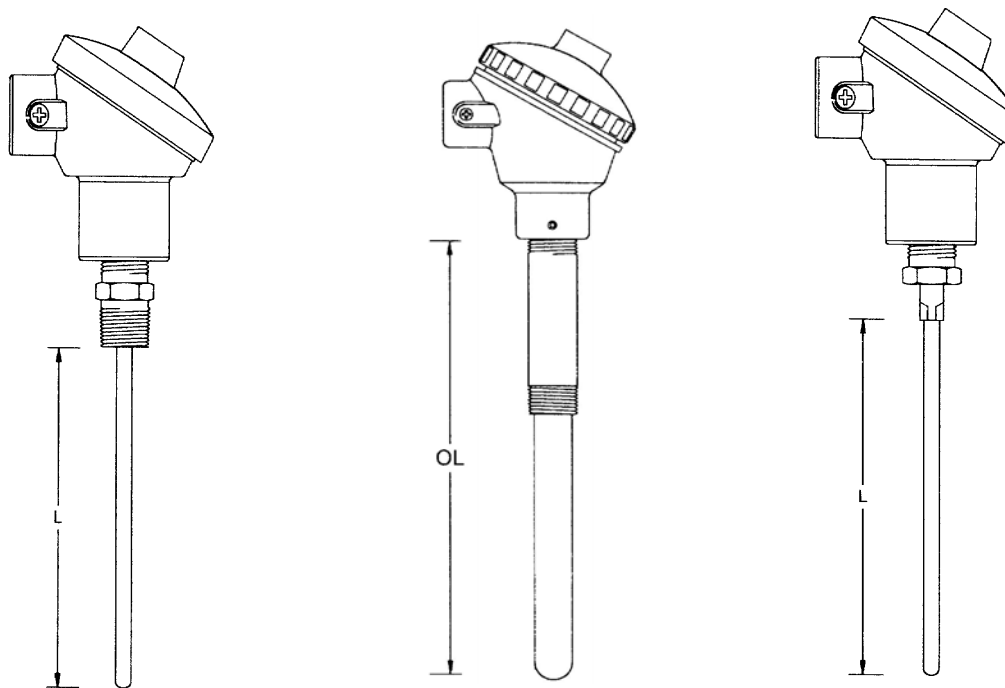
Cust.Code:

Generic No. T08

Date

Amended by:

Date:



Sensor

K
 J
 Other

Stem

3mm x
 4.5mm x
 6mm x
 10mm x.....
 Other

Fitting

1/4" BSP (B4)
 1/2" BSP (B2)
 0
 Other

Head

Large KN
 Small KS

Lead

Connector

0
 2 Terminal
 Ceramic
 Other