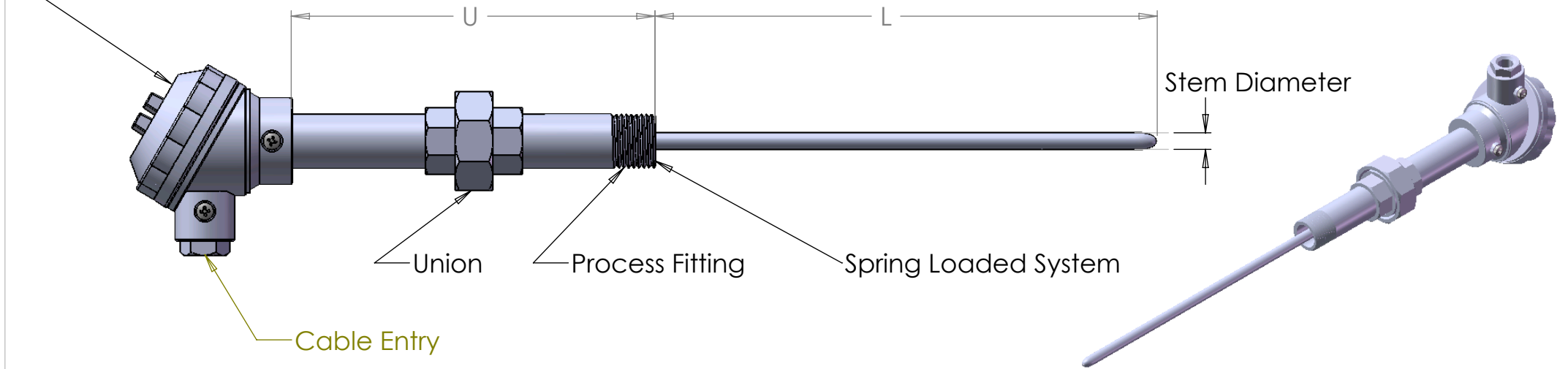


Large Termination Head



<u>RANGE</u>	<u>STEM</u> $\leftarrow L \rightarrow$	<u>HEAD MATERIAL</u>
Min Temp(°C)	6mm x	Aluminium
Max Temp.....(°C)	9.5mm x	Stainless Steel
	Other	Bakelight
		Nylon
<u>SENSOR TYPE</u>	<u>LAG LENGTH U</u>	<u>CONNECTOR</u>
Pt100	3 Terminal
Duplex Pt100	4 Terminal *
Other.....	None
		Other.....
		* required with a duplex sensor

SERVOTECH INSTRUMENTATION LTD
 6 WILLIAM PICKERING DRIVE
 ALBANY
 AUCKLAND, NEW ZEALAND
 PHONE: 64-9-415 8362
 FAX: 64-9-415 8361
 EMAIL: sales@servotech.co.nz
 WEBSITE: www.servotech.co.nz

UNLESS OTHERWISE SPECIFIED,
 ALL DIMENSIONS ARE IN mm

THIS DRAWING IS EXCLUSIVE
 PROPERTY OF SERVOTECH
 INSTRUMENTATION LTD AND
 SHOULD NOT BE COPIED OR
 HANDED TO OTHER PARTIES
 WITHOUT PRIOR PERMISSION.

SERVOTECH

Temperature management by design



TITLE: **RTD PROBE WITH NIPPLE UNION NIPPLE FITTING**

DRAWN BY: AC APPROVED BY: KV

DATE: 7/3/13

GENERIC NO. **RO8**

A4

SCALE: NTS

MATERIAL: