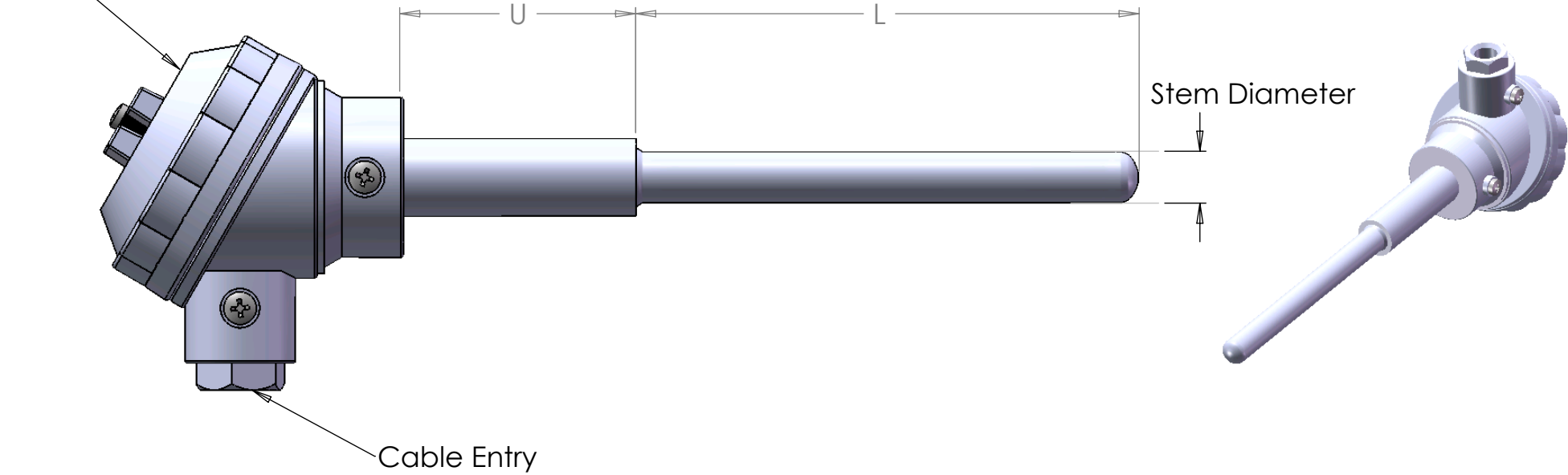


Large Aluminium Head





Cable Entry

<u>RANGE</u>	<u>STEM</u> $\leftarrow L \rightarrow$	<u>CERAMIC MATERIAL</u>
Min Temp(°C)	10mm x	ALSINT - Up To 1700 °C KER610 - Up To 1600 °C
Max Temp.....(°C)	15mm x	
	20mm x	
	Other	
<u>SENSOR TYPE</u>	<u>LAG</u> $\leftarrow U \rightarrow$	<u>CONNECTOR</u>
Type K Type R	100mm Other.....	2 Terminal
Type N Type S		4 Terminal *
Duplex		None
Other.....		Other.....
		* required with a duplex sensor

SERVOTECH INSTRUMENTATION LTD
6 WILLIAM PICKERING DRIVE
ALBANY
AUCKLAND, NEW ZEALAND
PHONE: 64-9-415 8362
FAX: 64-9-415 8361
EMAIL: sales@servotech.co.nz
WEBSITE: www.servotech.co.nz

UNLESS OTHERWISE SPECIFIED,
ALL DIMENSIONS ARE IN mm

THIS DRAWING IS EXCLUSIVE
PROPERTY OF SERVOTECH
INSTRUMENTATION LTD AND
SHOULD NOT BE COPIED OR
HANDLED TO OTHER PARTIES
WITHOUT PRIOR PERMISSION.

 <i>Temperature management by design</i>		
TITLE: THERMOCOUPLE PROBE WITH CERAMIC SHEATH		
DRAWN BY: AC APPROVED BY: KV		DATE: 7/3/13
GENERIC NO.	T10	
		A4
SCALE: NTS	MATERIAL:	