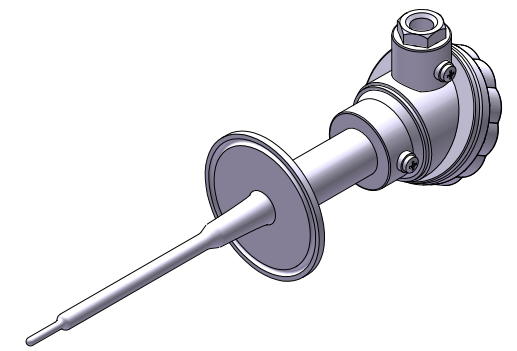




RANGE

Min Temp: \_\_\_\_\_ (°C)

Max Temp: \_\_\_\_\_ (°C)

<u>SENSOR TYPE</u>		<u>STEM</u>	<u>HEAD MATERIAL</u>		
Fast Response	<input type="checkbox"/>	6.35mm x _____	Stainless Steel	<input type="checkbox"/>	
Pt100	<input type="checkbox"/>	Other: _____	Bakelite	<input type="checkbox"/>	
Pt1000	<input type="checkbox"/>		Nylon	<input type="checkbox"/>	
Duplex	<input type="checkbox"/>		Polypropylene	<input type="checkbox"/>	
Other: _____	<input type="checkbox"/>		Aluminium	<input type="checkbox"/>	
<u>TRI-CLOVER FITTING</u>		<u>HEAD</u>	<u>CONNECTOR</u>		
1"	<input type="checkbox"/>	1½"	<input type="checkbox"/>	Large	<input type="checkbox"/>
2"	<input type="checkbox"/>	2½"	<input type="checkbox"/>	Small	<input type="checkbox"/>
3"	<input type="checkbox"/>				
Other: _____	<input type="checkbox"/>				



SERVOTECH INSTRUMENTATION LTD 6 WILLIAM PICKERING DRIVE ALBANY AUCKLAND, NEW ZEALAND PHONE: 64-9-415 8362 FAX: 64-9-415 8361 EMAIL: sales@servotech.co.nz WEBSITE: www.servotech.co.nz			TITLE: <b>TRI-CLOVER RTD SANITARY PROBE WITH FAST RESPONSE</b>	
			DRAWN BY: DV	APPROVED BY: KV
UNLESS OTHERWISE SPECIFIED, ALL DIMENSIONS ARE IN mm	GENERIC NUMBER: <b>R27TF</b>		<b>A4</b>	
	SCALE: NTS		MANUFACTURED IN NEW ZEALAND	

THIS DRAWING IS EXCLUSIVE PROPERTY OF SERVOTECH INSTRUMENTATION LTD AND SHOULD NOT BE COPIED OR HANDED TO OTHER PARTIES WITHOUT PROPER PERMISSION.