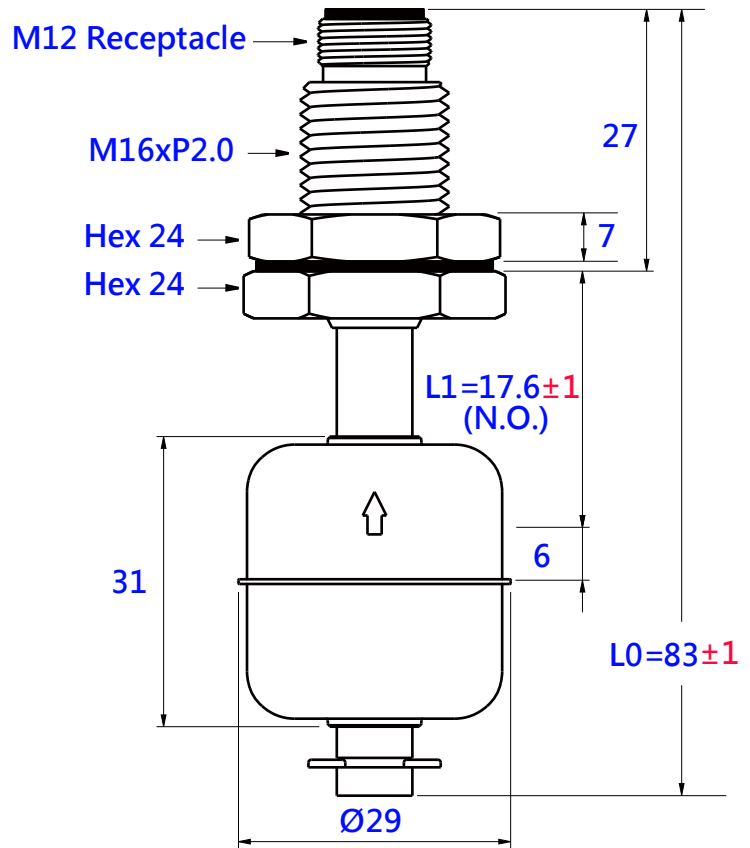


Servotech Instrumentation Ltd

LS3001-M12



LS3001-M12

LS3001-M12		
Mounting Style	Internal	Level Code
Mounting thread	M16xP2.0	L0=83±1
stem	SUS 316	L1=17.6±1 (N.O.)
Float	SUS 316L	
Operation Temp.	-20°C To +120°C	
Max.Pressure	20 bar	
Float S.G.	0.7	
Mini.Fluid S.G.	0.8	
Contact Form	Float Reversible , SPST	
Switch Rating VA	50W	
Switching Voltage Max.	240Vac/200Vdc	
Switching Current Max.	0.5	
Carry Current Max.	1A	
Connection	M12 Receptacle	