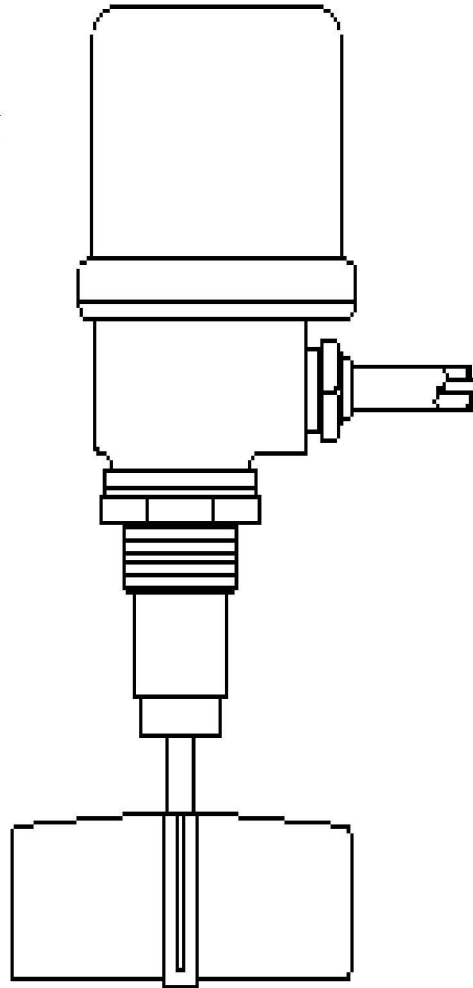


# FINETEK ROTARY PADDLE SWITCHES

SE 180C  
CROSS HAIR PADDLE (PLASTIC)  
3/4" BSPP PROCESS CONNECTION  
SUPPLY VOLTAGE 240 V AC  
CONTACT RATING 250 V AC  
1 AMP SPDT  
ROTARY SPEED = 1 RPM  
OPERATING TEMP -20 TO 60C

CROSS HAIR PADDLE (PLASTIC)  
(BOTTOM VIEW) **+**



SE 110C  
STRAIGHT PADDLE (METAL)  
1" BSPP PROCESS CONNECTION  
SUPPLY VOLTAGE 240 V AC  
CONTACT RATING 250 V AC  
1 AMP SPDT  
OPERATING TEMP -20 TO 60C

STRAIGHT PADDLE (METAL)  
(BOTTOM VIEW) **—**