

PT460E Series Pressure Sensors

*SIMPLE INSTALLATION,
REPEATABILITY AND RELIABILITY*



Description

The Dynisco PT460E Series transducer is a $\pm 0.5\%$ sensor ideal for melt pressure applications requiring simple installation, repeatability and reliability. The PT460E transducers provide the industry standard 3.33 mV/V signal designed to work with most pressure indicators. The PT460E comes equipped with a six pin bendix connector. Optional thermocouple or RTD configurations are available to provide melt temperature. The PT460E features a 1/2-20 UNF thread for installation in standard transducer mounting holes and can be supplied with a variety of other electrical connections if desired.

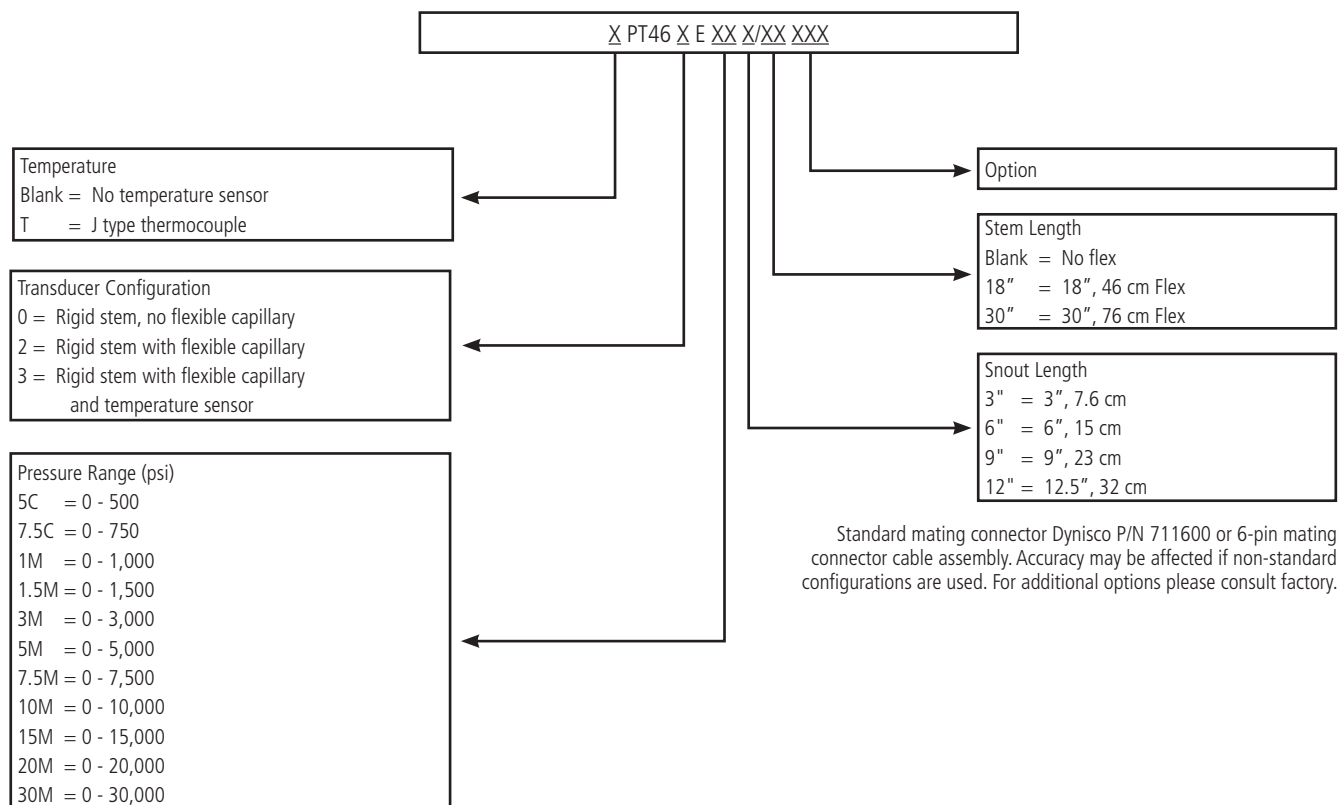
Features

- Accuracy better than $\pm 0.5\%$
- DyMax® coated stainless steel wetted parts
- Proven sensor design
- 0 - 500 to 0 -30,000 psi
- Internal 80% shunt calibration

| Performance Characteristics | |
|--|--|
| Combined Error: | ±0.5% FSO, (Including Linearity, Repeatability & Hysteresis) |
| Repeatability: | ±0.2% FSO |
| Over Pressure: | 2 x FSO or 35,000 psi (whichever is less) |
| Configuration: | Four active arm bonded Wheatstone bridge strain gage |
| Bridge Resistance: | Input: 345 Ohms minimum; Output: 350 Ohms ±10% |
| Output: | 3.33 mV/V ±2.0% |
| Zero Balance: | ±10% full scale |
| Input Voltage: | 10 Vdc recommended, 12 Vdc maximum |
| Internal Shunt Calibration (R-Cal): | 80% FSO ±1.0% |
| Insulation Resistance: | 1,000 megohms at 50 Vdc |

| Temperature & Mechanical Characteristics | |
|--|--|
| Transducer Diaphragm: | |
| Maximum Diaphragm Temperature: | 750°F (400°C) |
| Zero Shift (due to temperature change): | 25 psi/100°F maximum (45 psi/100°C) |
| Electronics Housing: | |
| Maximum Temperature: | 250°F (121°C) |
| Zero Shift (due to temperature change): | ±0.05% full scale/°F maximum (±0.10% full scale/°C) |
| Sensitivity Shift (due to temperature change): | ±0.02% full scale/°F maximum (±0.04% full scale/°C) |
| Mounting Torque: | 500 inch/lbs. maximum |
| Standard Wetted Parts: | Dymax® coated 15-5 PH SST |

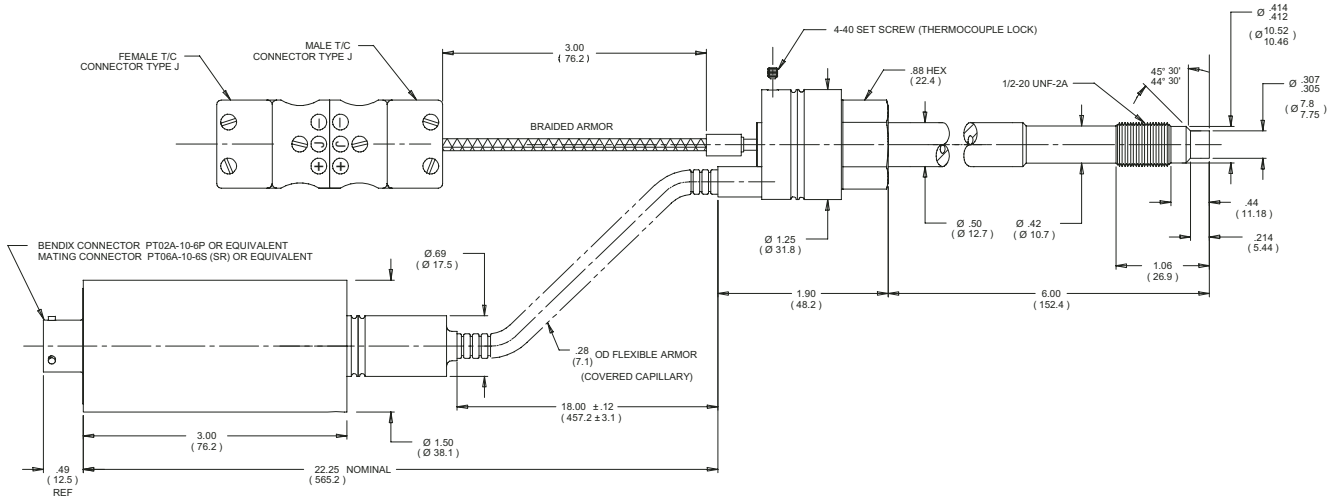
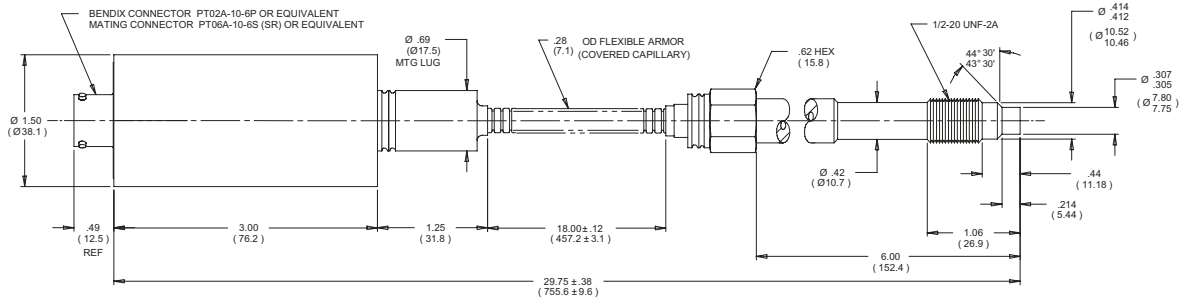
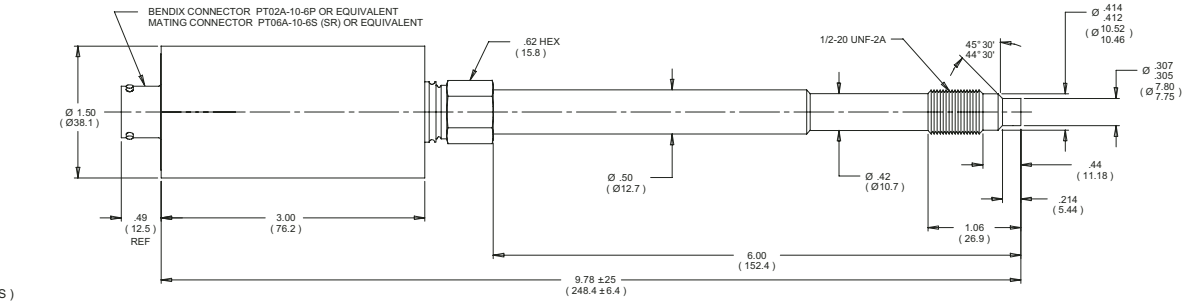
Ordering Guide for PT460E Series



Dimensions

| CONNECTOR WIRING | |
|------------------|-----------------------|
| PIN | FUNCTION |
| A | SIGNAL + |
| B | SIGNAL - |
| C | EXCITATION + |
| D | EXCITATION - |
| E | INTERNAL CAL RESISTOR |
| F | |

NOTES
1. DIMENSIONS ARE IN INCHES (MILLIMETERS)



All dimensions are inches (mm) unless otherwise specified.
©2016. Dynisco reserves the right to make changes without notice.
Refer to www.dynisco.com for access to Operator Manual and other support documentation.
DSPT460E
Rev: 0717

www.dynisco.com

Dynisco
38 Forge Parkway
Franklin, MA 02038
USA
Hotline 1-800-Dynisco
www.dynisco.com
Phone +1 508 541 9400
Fax +1 508 541 6206
Email info@dynisco.com

Dynisco Europe, GmbH
Pfaffenstr. 21
74078 Hellbronn
Germany
Phone +49 7131 297 0
Fax +49 7131 297 166
Email dyniscoeurope@dynisco.com

Dynisco Shanghai
Building 7A, No. 568
Longpan Rd Malu
Jiading, 201801 China
Phone +86 21 34074072-819
Toll Free +86 400 728 9117
Fax +86 21 34074025