

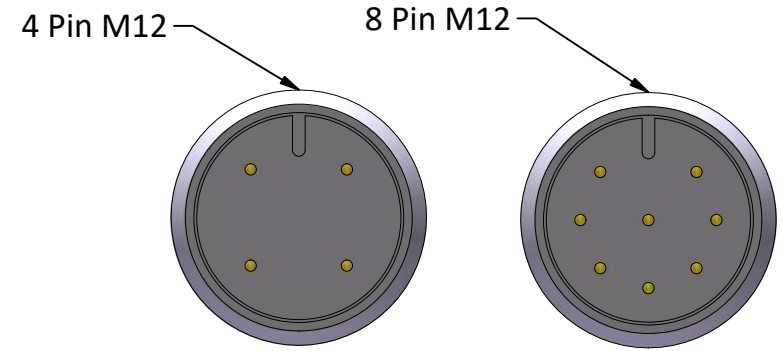
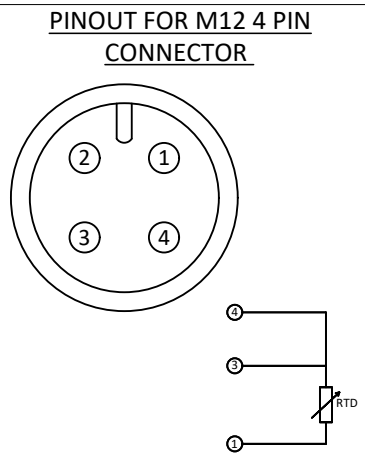
RANGE

Min Temp: _____ (°C)

Max Temp: _____ (°C)

<u>SENSOR TYPE</u>	<u>STEM</u>
Pt100 <input type="checkbox"/>	3.0mm x _____
Pt1000 <input type="checkbox"/>	4.5mm x _____
Duplex <input type="checkbox"/>	6.0mm x _____
NTC <input type="checkbox"/>	Other: _____
Other: _____ <input type="checkbox"/>	

<u>CONNECTOR</u>	<u>COMPRESSION FITTING</u>
4 Pin (3 wire) <input type="checkbox"/>	1/4" BSP <input type="checkbox"/> 1/4" NPT <input type="checkbox"/>
4 Pin (4 wire) <input type="checkbox"/>	1/2" BSP <input type="checkbox"/> 1/2" NPT <input type="checkbox"/>
8 Pin (6 wire, Duplex) <input type="checkbox"/>	Other: _____ <input type="checkbox"/>



SERVOTECH INSTRUMENTATION LTD
 6 WILLIAM PICKERING DRIVE
 ALBANY
 AUCKLAND, NEW ZEALAND
 PHONE: 64-9-415 8362
 FAX: 64-9-415 8361
 EMAIL: sales@servotech.co.nz
 WEBSITE: www.servotech.co.nz



UNLESS OTHERWISE SPECIFIED,
 ALL DIMENSIONS ARE IN mm

THIS DRAWING IS EXCLUSIVE PROPERTY
 OF SERVOTECH INSTRUMENTATION LTD
 AND SHOULD NOT BE COPIED OR
 HANDED TO OTHER PARTIES WITHOUT
 PROPER PERMISSION.

TITLE: M12 RTD PROBE WITH COMPRESSION FITTING		
DRAWN BY: DV	APPROVED BY: KV	DATE: 18/01/2023
GENERIC NUMBER: R12		A4
SCALE: NTS	MATERIAL: 316 SS	