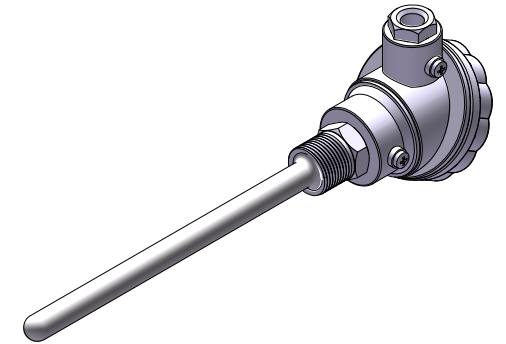
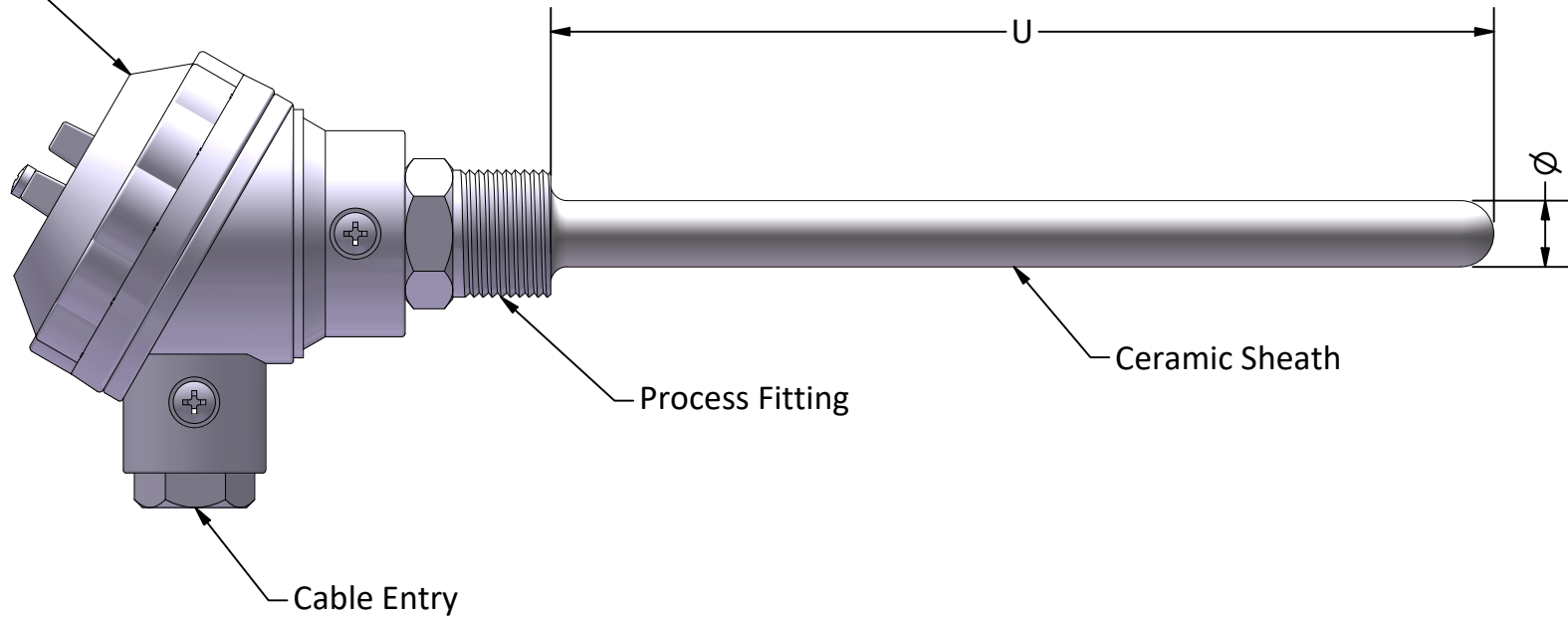


Large Terminal Head



<u>RANGE</u>		
Min Temp: _____ (°C)		
Max Temp: _____ (°C)		
<u>SENSOR TYPE</u>	<u>STEM</u>	<u>HEAD MATERIAL</u>
Type K <input type="checkbox"/> Type R <input type="checkbox"/>	10mm x _____	Aluminium <input type="checkbox"/>
Type N <input type="checkbox"/> Type S <input type="checkbox"/>	15mm x _____	Stainless Steel <input type="checkbox"/>
Duplex <input type="checkbox"/>	20mm x _____	Nylon <input type="checkbox"/>
Other: _____ <input type="checkbox"/>	Other: _____	
<u>SHEATH MATERIAL</u>	<u>PROCESS FITTING</u>	<u>CONNECTOR</u>
Dimulit - UP TO 1500 °C <input type="checkbox"/>	1/2" BSP <input type="checkbox"/>	2 Terminal <input type="checkbox"/>
Alumina - UP TO 1700 °C <input type="checkbox"/>	3/4" BSP <input type="checkbox"/>	4 Terminal (Duplex) <input type="checkbox"/>
	Other: _____ <input type="checkbox"/>	Other: _____ <input type="checkbox"/>
		Transmitter <input type="checkbox"/>
		• Min: _____ Max: _____

SERVOTECH INSTRUMENTATION LTD 6 WILLIAM PICKERING DRIVE ALBANY AUCKLAND, NEW ZEALAND PHONE: 64-9-415 8362 FAX: 64-9-415 8361 EMAIL: sales@servotech.co.nz WEBSITE: www.servotech.co.nz			
			TITLE: THERMOCOUPLE PROBE WITH CERAMIC SHEATH AND PROCESS FITTING
UNLESS OTHERWISE SPECIFIED, ALL DIMENSIONS ARE IN mm	DRAWN BY: DV	APPROVED BY: KV	DATE: 20/12/2022
THIS DRAWING IS EXCLUSIVE PROPERTY OF SERVOTECH INSTRUMENTATION LTD AND SHOULD NOT BE COPIED OR HANDED TO OTHER PARTIES WITHOUT PROPER PERMISSION.	GENERIC NUMBER:		A4
	T10P		SCALE: NTS
MANUFACTURED IN NEW ZEALAND			