

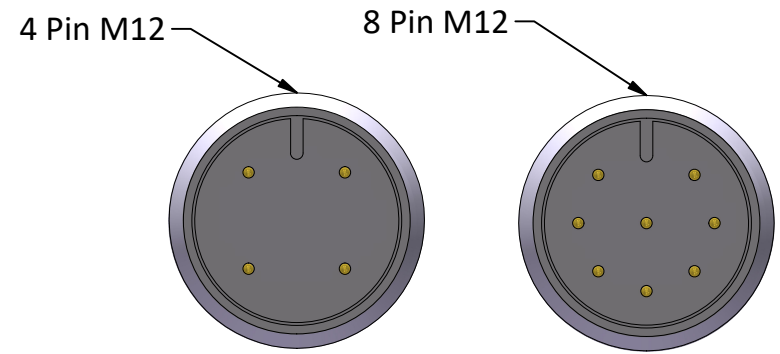
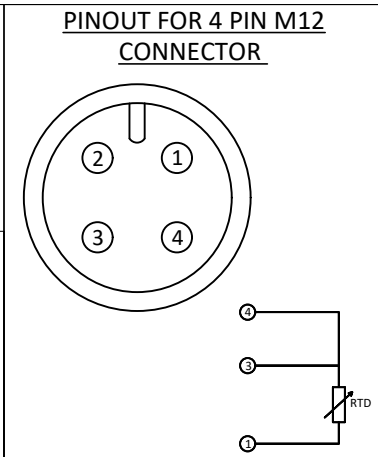
<u>RANGE</u>	
Min Temp: _____	(°C)
Max Temp: _____	(°C)

<u>SENSOR TYPE</u>	
Standard Response	<input type="checkbox"/>
Pt100	<input type="checkbox"/>
Pt1000	<input type="checkbox"/>
Duplex	<input type="checkbox"/>
Other: _____	<input type="checkbox"/>

<u>RJT FITTING</u>			
1"	<input type="checkbox"/>	1½"	<input type="checkbox"/>
2"	<input type="checkbox"/>	2½"	<input type="checkbox"/>
3"	<input type="checkbox"/>		
Other: _____	<input type="checkbox"/>		

<u>STEM</u>	
6.35mm x _____	
Other: _____	

<u>M12 CONNECTOR</u>	
4 Pin (3 wire)	<input type="checkbox"/>
4 Pin (4 wire)	<input type="checkbox"/>
8 Pin (6 wire, Duplex)	<input type="checkbox"/>



SERVOTECH INSTRUMENTATION LTD  
 6 WILLIAM PICKERING DRIVE  
 ALBANY  
 AUCKLAND, NEW ZEALAND  
 PHONE: 64-9-415 8362  
 FAX: 64-9-415 8361  
 EMAIL: sales@servotech.co.nz  
 WEBSITE: www.servotech.co.nz

UNLESS OTHERWISE SPECIFIED,  
 ALL DIMENSIONS ARE IN mm

THIS DRAWING IS EXCLUSIVE PROPERTY  
 OF SERVOTECH INSTRUMENTATION LTD  
 AND SHOULD NOT BE COPIED OR  
 HANDED TO OTHER PARTIES WITHOUT  
 PROPER PERMISSION.

TITLE: **RJT RTD PROBE WITH M12 CONNECTOR**

DRAWN BY: DV      APPROVED BY: KV      DATE: 16/12/2022

GENERIC NUMBER: **R28R**      **A4**

SCALE: NTS      MANUFACTURED IN NEW ZEALAND