

RANGE

Min Temp: _____ (°C)

Max Temp: _____ (°C)

SENSOR TYPE

Standard Response

Pt100

Pt1000

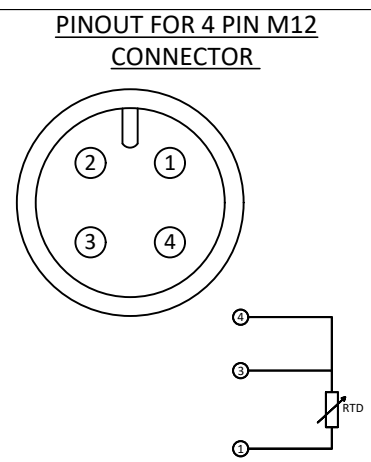
Duplex

Other: _____

STEM

6.35mm x _____

Other: _____



TRI-CLOVER FITTING

1" 1½"

2" 2½"

3"

Other: _____

M12 CONNECTOR

4 Pin (3 wire)

4 Pin (4 wire)

8 Pin (6 wire, Duplex)

SERVOTECH INSTRUMENTATION LTD
 6 WILLIAM PICKERING DRIVE
 ALBANY
 AUCKLAND, NEW ZEALAND
 PHONE: 64-9-415 8362
 FAX: 64-9-415 8361
 EMAIL: sales@servotech.co.nz
 WEBSITE: www.servotech.co.nz



UNLESS OTHERWISE SPECIFIED,
 ALL DIMENSIONS ARE IN mm

THIS DRAWING IS EXCLUSIVE PROPERTY
 OF SERVOTECH INSTRUMENTATION LTD
 AND SHOULD NOT BE COPIED OR
 HANDED TO OTHER PARTIES WITHOUT
 PROPER PERMISSION.

TITLE: TRI-CLOVER RTD SANITARY PROBE WITH M12 CONNECTOR

DRAWN BY: DV APPROVED BY: KV DATE: 16/12/2022

GENERIC NUMBER: **R28T** **A4**

SCALE: NTS MANUFACTURED IN NEW ZEALAND