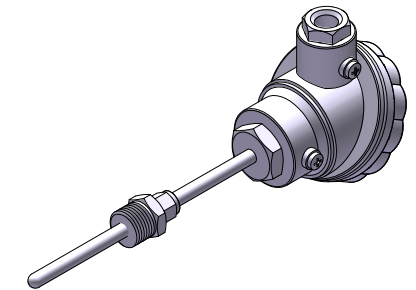
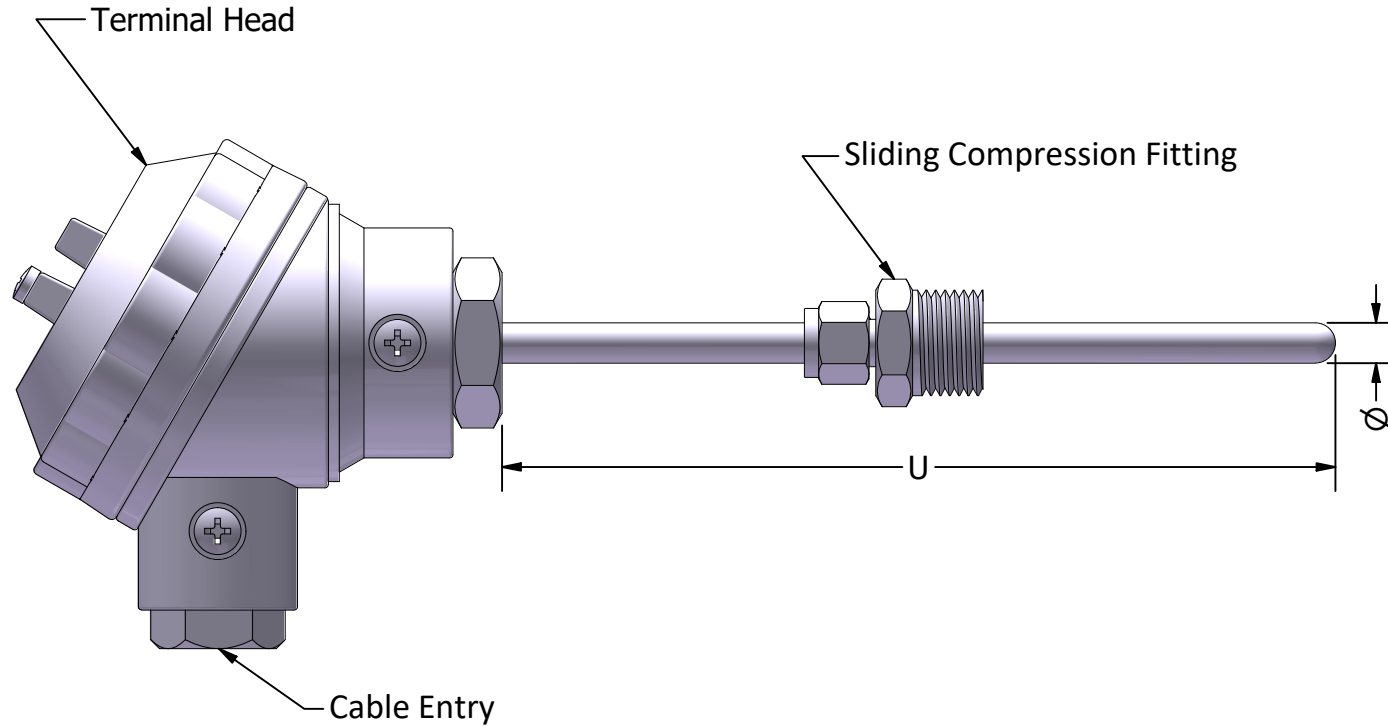


Ex ia





<u>RANGE</u>
Min Temp: _____ (°C)
Max Temp: _____ (°C)

<u>SENSOR</u>	<u>STEM</u>	<u>HEAD MATERIAL</u>
RTD	3.0mm x _____	Aluminium <input type="checkbox"/>
Pt100	4.5mm x _____	Stainless Steel <input type="checkbox"/>
Pt1000	6.0mm x _____	Bakelite <input type="checkbox"/>
<u>Thermocouple</u>	9.5mm x _____	Nylon <input type="checkbox"/>
Type K, Type J, Type T	Other: _____	Polypropylene <input type="checkbox"/>
<u>COMPRESSION FITTING</u>	<u>HEAD</u>	<u>CONNECTOR</u>
1/4" BSP <input type="checkbox"/> 1/4" NPT <input type="checkbox"/>	Large <input type="checkbox"/>	RTD <input type="checkbox"/>
1/2" BSP <input type="checkbox"/> 1/2" NPT <input type="checkbox"/>	Small <input type="checkbox"/>	3 Terminal <input type="checkbox"/>
Other: _____ <input type="checkbox"/>		6 Terminal (Duplex) <input type="checkbox"/>
		Thermocouple <input type="checkbox"/>
		2 Terminal <input type="checkbox"/>
		4 Terminal (Duplex) <input type="checkbox"/>

SERVOTECH INSTRUMENTATION LTD
 6 WILLIAM PICKERING DRIVE
 ALBANY
 AUCKLAND, NEW ZEALAND
 PHONE: 64-9-415 8362
 FAX: 64-9-415 8361
 EMAIL: sales@servotech.co.nz
 WEBSITE: www.servotech.co.nz

UNLESS OTHERWISE SPECIFIED,
 ALL DIMENSIONS ARE IN mm

THIS DRAWING IS EXCLUSIVE PROPERTY
 OF SERVOTECH INSTRUMENTATION LTD
 AND SHOULD NOT BE COPIED OR
 HANDED TO OTHER PARTIES WITHOUT
 PROPER PERMISSION.

		
TITLE: Ex ia PROBE WITH COMPRESSION FITTING		
DRAWN BY: DV	APPROVED BY: KV	DATE: 15/12/2022
GENERIC NUMBER:		A4
SCALE: NTS	MANUFACTURED IN NEW ZEALAND	