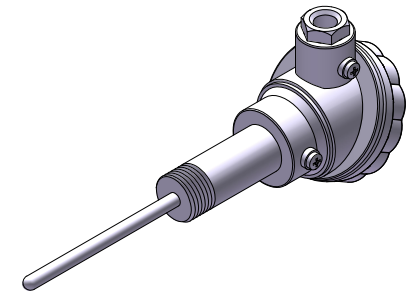
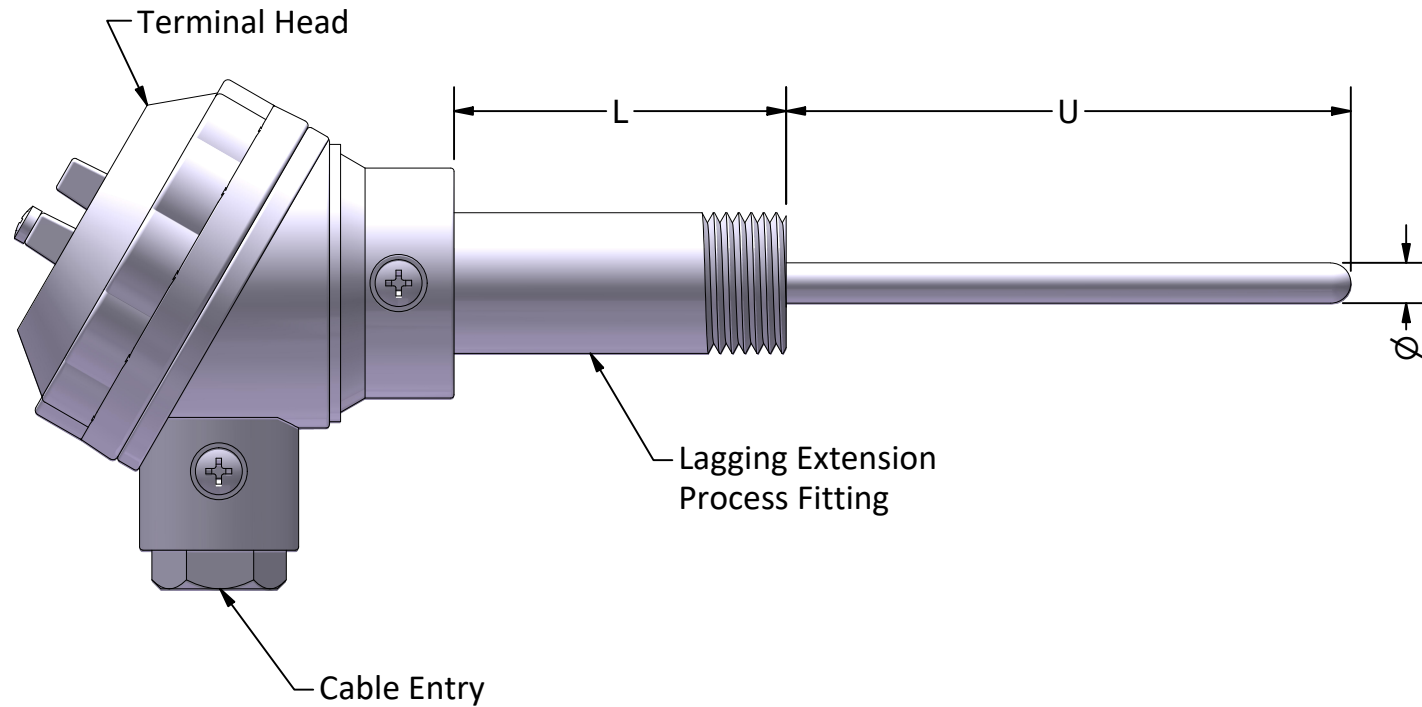




Ex ia



RANGE	STEM
Min Temp: _____ (°C)	3.0mm x _____
	4.5mm x _____
Max Temp: _____ (°C)	6.0mm x _____
	9.5mm x _____
	Other: _____

SENSOR TYPE	STEM TYPE	HEAD MATERIAL
<u>RTD</u>	Spring Loaded <input type="checkbox"/>	Aluminium <input type="checkbox"/>
Pt100	Fixed <input type="checkbox"/>	Stainless Steel <input type="checkbox"/>
Pt1000		Bakelite <input type="checkbox"/>
<u>Thermocouple</u>		Nylon <input type="checkbox"/>
Type K, Type J, Type T		Polypropylene <input type="checkbox"/>

LAGGING EXTENSION FITTING	HEAD	CONNECTOR
75mm <input type="checkbox"/>	Large <input type="checkbox"/>	RTD <input type="checkbox"/>
Other: _____ <input type="checkbox"/>	Small <input type="checkbox"/>	3 Terminal <input type="checkbox"/>
1/2" BSP <input type="checkbox"/>		6 Terminal (Duplex) <input type="checkbox"/>
1/2" NPT <input type="checkbox"/>		Thermocouple <input type="checkbox"/>
3/4" BSP <input type="checkbox"/>		2 Terminal <input type="checkbox"/>
3/4" NPT <input type="checkbox"/>		4 Terminal (Duplex) <input type="checkbox"/>

SERVOTECH INSTRUMENTATION LTD 6 WILLIAM PICKERING DRIVE ALBANY AUCKLAND, NEW ZEALAND PHONE: 64-9-415 8362 FAX: 64-9-415 8361 EMAIL: sales@servotech.co.nz WEBSITE: www.servotech.co.nz		
UNLESS OTHERWISE SPECIFIED, ALL DIMENSIONS ARE IN mm	DRAWN BY: DV APPROVED BY: KV DATE: 28/11/2022	
THIS DRAWING IS EXCLUSIVE PROPERTY OF SERVOTECH INSTRUMENTATION LTD AND SHOULD NOT BE COPIED OR HANDED TO OTHER PARTIES WITHOUT PROPER PERMISSION.	GENERIC NUMBER:	A4
	SCALE: NTS	MANUFACTURED IN NEW ZEALAND