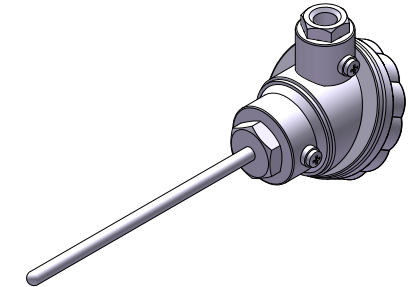
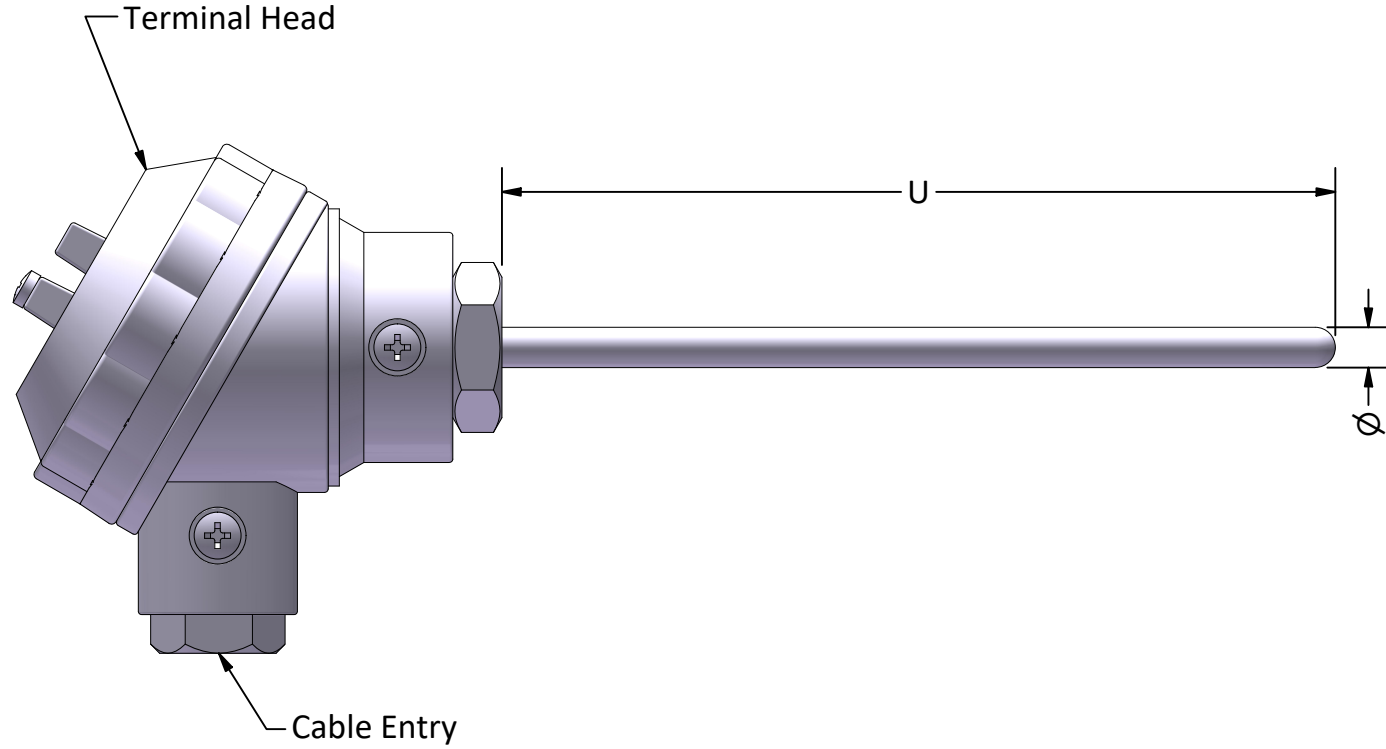




# Ex ia



| <u>RANGE</u>           | <u>STEM</u>                    | <u>HEAD MATERIAL</u>                         |
|------------------------|--------------------------------|--|
| Min Temp: _____ (°C)   | 3.0mm x _____                  | Aluminium <input type="checkbox"/>           |
|                        | 4.5mm x _____                  | Stainless Steel <input type="checkbox"/>     |
| Max Temp: _____ (°C)   | 6.0mm x _____                  | Bakelite <input type="checkbox"/>            |
|                        | 9.5mm x _____                  | Nylon <input type="checkbox"/>               |
|                        | Other: _____                   | Polypropylene <input type="checkbox"/>       |
| <u>SENSOR TYPE</u>     | <u>HEAD</u>                    | <u>CONNECTOR</u>                             |
| <u>RTD</u>             | Large <input type="checkbox"/> | RTD <input type="checkbox"/>                 |
| Pt100                  | Small <input type="checkbox"/> | 3 Terminal <input type="checkbox"/>          |
| Pt1000                 |                                | 6 Terminal (Duplex) <input type="checkbox"/> |
| <u>Thermocouple</u>    |                                | Thermocouple <input type="checkbox"/>        |
| Type K, Type J, Type T |                                | 2 Terminal <input type="checkbox"/>          |
|                        |                                | 4 Terminal (Duplex) <input type="checkbox"/> |

|   |   |   |  |
|---|---|---|--|
| SERVOTECH INSTRUMENTATION LTD<br>6 WILLIAM PICKERING DRIVE<br>ALBANY<br>AUCKLAND, NEW ZEALAND<br>PHONE: 64-9-415 8362<br>FAX: 64-9-415 8361<br>EMAIL: sales@servotech.co.nz<br>WEBSITE: www.servotech.co.nz |  |  |  |
|   |   |   | TITLE: Ex ia PROBE WITHOUT PROCESS FITTING |
| UNLESS OTHERWISE SPECIFIED,<br>ALL DIMENSIONS ARE IN mm   | DRAWN BY: DV  | APPROVED BY: KV   | DATE: 28/11/2022                           |
| THIS DRAWING IS EXCLUSIVE PROPERTY<br>OF SERVOTECH INSTRUMENTATION LTD<br>AND SHOULD NOT BE COPIED OR<br>HANDED TO OTHER PARTIES WITHOUT<br>PROPER PERMISSION.  | GENERIC NUMBER:   |   | A4   |
|   | SCALE: NTS  | MANUFACTURED IN NEW ZEALAND   |  |