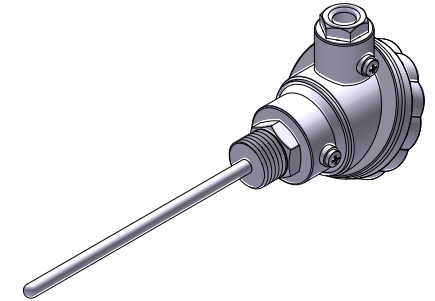
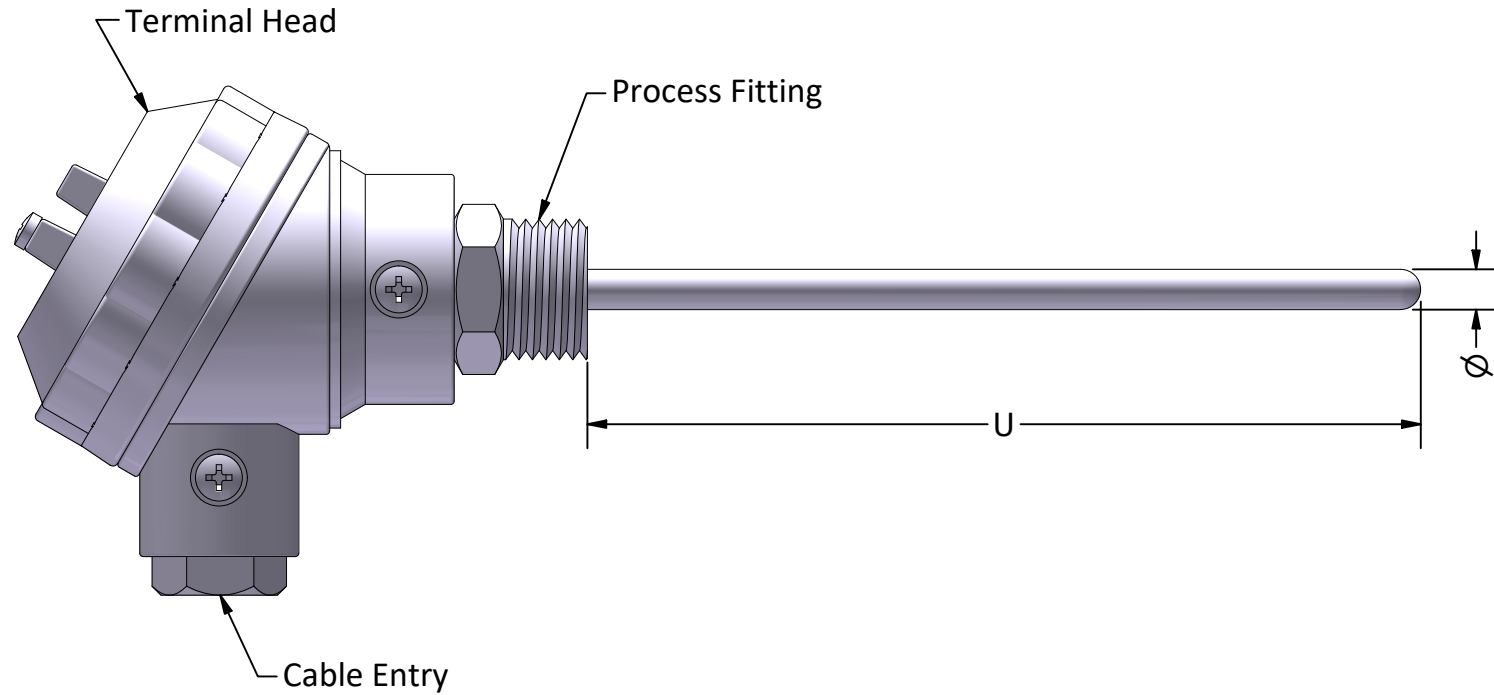


Ex ia



<u>RANGE</u>
Min Temp: _____ (°C)
Max Temp: _____ (°C)

<u>SENSOR TYPE</u>	<u>STEM</u>	<u>HEAD MATERIAL</u>
RTD	3.0mm x _____	Aluminium <input type="checkbox"/>
Pt100	4.5mm x _____	Stainless Steel <input type="checkbox"/>
Pt1000	6.0mm x _____	Bakelite <input type="checkbox"/>
<u>Thermocouple</u>	9.5mm x _____	Nylon <input type="checkbox"/>
Type K, Type J, Type T	Other: _____	Polypropylene <input type="checkbox"/>

<u>PROCESS FITTING</u>	<u>HEAD</u>	<u>CONNECTOR</u>
1/4" BSP <input type="checkbox"/> 1/4" NPT <input type="checkbox"/>	Large <input type="checkbox"/>	RTD <input type="checkbox"/>
1/2" BSP <input type="checkbox"/> 1/2" NPT <input type="checkbox"/>	Small <input type="checkbox"/>	3 Terminal <input type="checkbox"/>
Other: _____ <input type="checkbox"/>		6 Terminal (Duplex) <input type="checkbox"/>
		Thermocouple 2 Terminal <input type="checkbox"/>
		4 Terminal (Duplex) <input type="checkbox"/>

SERVOTECH INSTRUMENTATION LTD 6 WILLIAM PICKERING DRIVE ALBANY AUCKLAND, NEW ZEALAND PHONE: 64-9-415 8362 FAX: 64-9-415 8361 EMAIL: sales@servotech.co.nz WEBSITE: www.servotech.co.nz			
			TITLE: Ex ia PROBE WITH PROCESS FITTING
UNLESS OTHERWISE SPECIFIED, ALL DIMENSIONS ARE IN mm	DRAWN BY: DV	APPROVED BY: KV	DATE: 28/11/2022
THIS DRAWING IS EXCLUSIVE PROPERTY OF SERVOTECH INSTRUMENTATION LTD AND SHOULD NOT BE COPIED OR HANDED TO OTHER PARTIES WITHOUT PROPER PERMISSION.	GENERIC NUMBER:		A4
	SCALE: NTS	MANUFACTURED IN NEW ZEALAND	