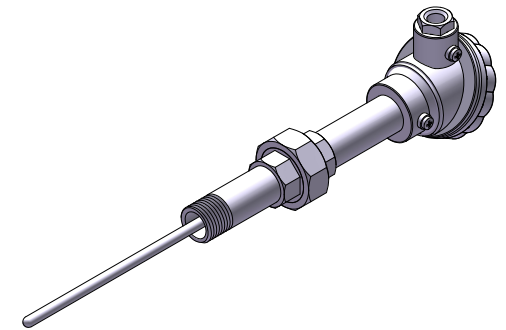
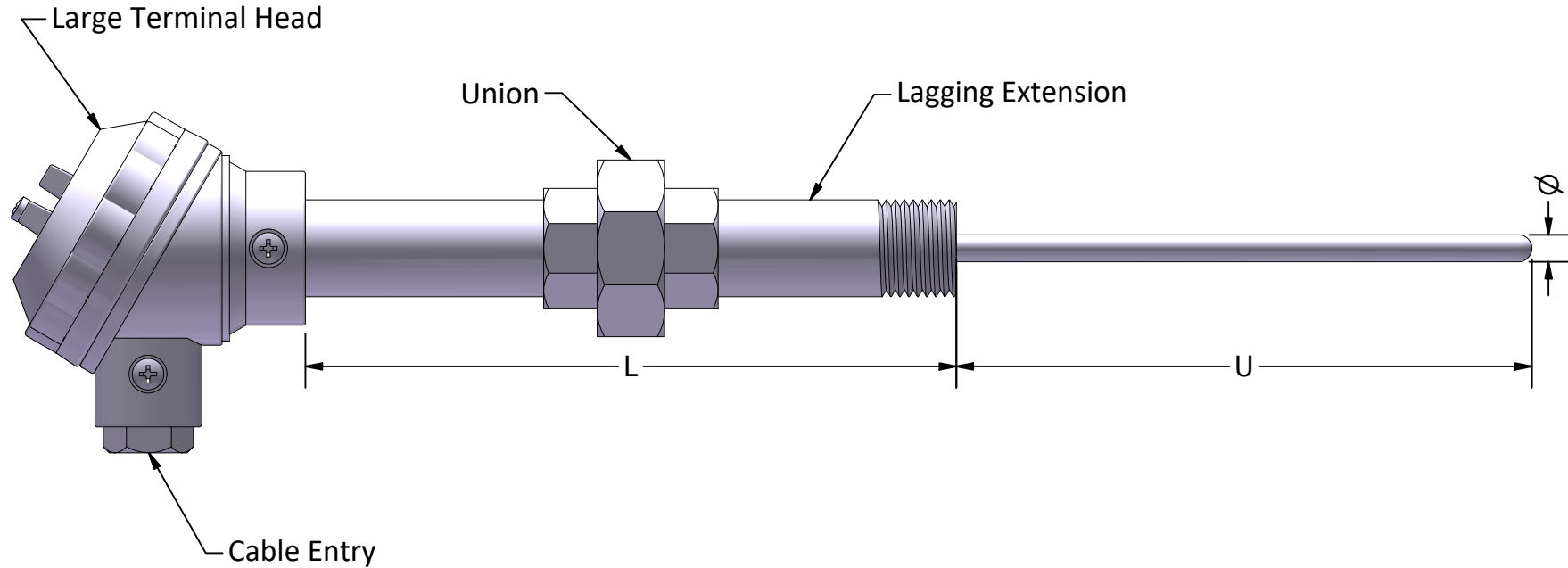




Ex ia



<u>RANGE</u> Min Temp: _____ (°C) Max Temp: _____ (°C)		<u>STEM</u> 3.0mm x _____ 4.5mm x _____ 6.0mm x _____ 9.5mm x _____ Other: _____	
<u>SENSOR TYPE</u> RTD Pt100 Pt1000 Thermocouple Type K, Type J, Type T		<u>STEM TYPE</u> Spring Loaded <input type="checkbox"/> Fixed <input type="checkbox"/>	
		<u>HEAD MATERIAL</u> Aluminium <input type="checkbox"/> Stainless Steel <input type="checkbox"/> Bakelite <input type="checkbox"/> Nylon <input type="checkbox"/> Polypropylene <input type="checkbox"/>	
<u>PROCESS FITTING</u> 1/4" BSP <input type="checkbox"/> 1/4" NPT <input type="checkbox"/> 1/2" BSP <input type="checkbox"/> 1/2" NPT <input type="checkbox"/> Other: _____ <input type="checkbox"/>		<u>L-LENGTH</u> _____	
		<u>CONNECTOR</u> RTD 3 Terminal <input type="checkbox"/> 6 Terminal (Duplex) <input type="checkbox"/> Thermocouple 2 Terminal <input type="checkbox"/> 4 Terminal (Duplex) <input type="checkbox"/>	

SERVOTECH INSTRUMENTATION LTD 6 WILLIAM PICKERING DRIVE ALBANY AUCKLAND, NEW ZEALAND PHONE: 64-9-415 8362 FAX: 64-9-415 8361 EMAIL: sales@servotech.co.nz WEBSITE: www.servotech.co.nz					
UNLESS OTHERWISE SPECIFIED, ALL DIMENSIONS ARE IN mm		TITLE: Ex ia PROBE WITH LAGGING EXTENSION UNION AND FITTING			
THIS DRAWING IS EXCLUSIVE PROPERTY OF SERVOTECH INSTRUMENTATION LTD AND SHOULD NOT BE COPIED OR HANDED TO OTHER PARTIES WITHOUT PROPER PERMISSION.		DRAWN BY: DV APPROVED BY: KV		DATE: 28/11/2022	
		GENERIC NUMBER:			A4
SCALE: NTS		MANUFACTURED IN NEW ZEALAND			