

T16A Autoclave/Sterilizer Probe

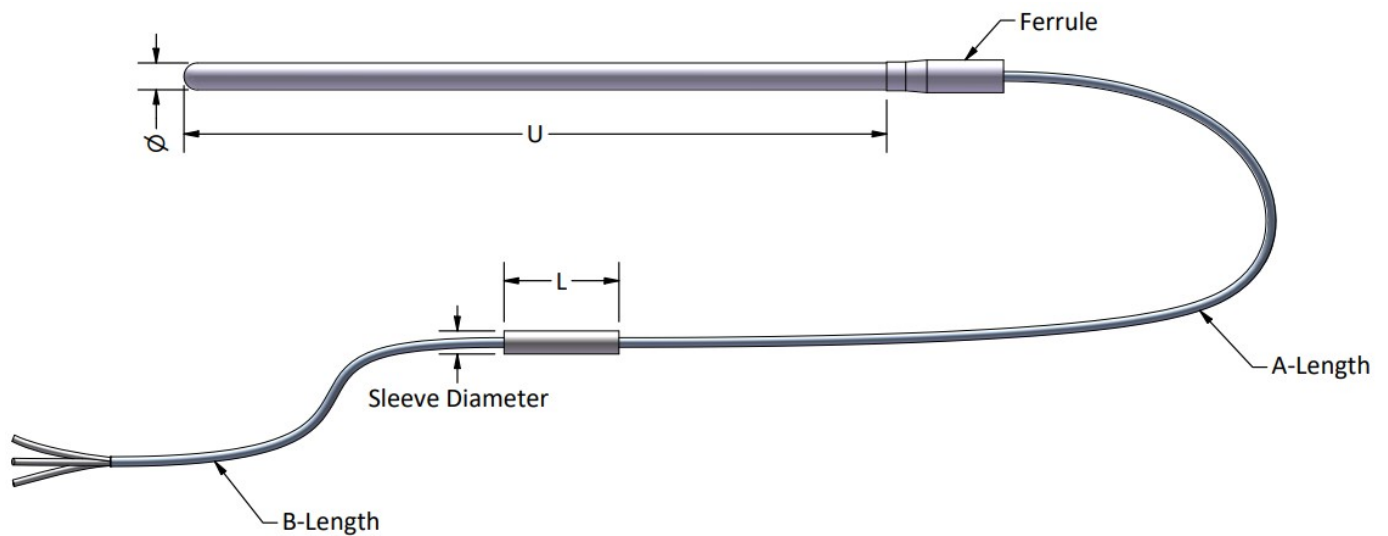
Servotech manufactures temperature probes for Autoclave /sterilisers.

These probes are designed to measure the temperature inside the autoclave during the cycle. They are subject to steam at high temperatures and pressure during the sterilisation cycle. Therefore, are required to operate at 134°C under 1 bar pressure.

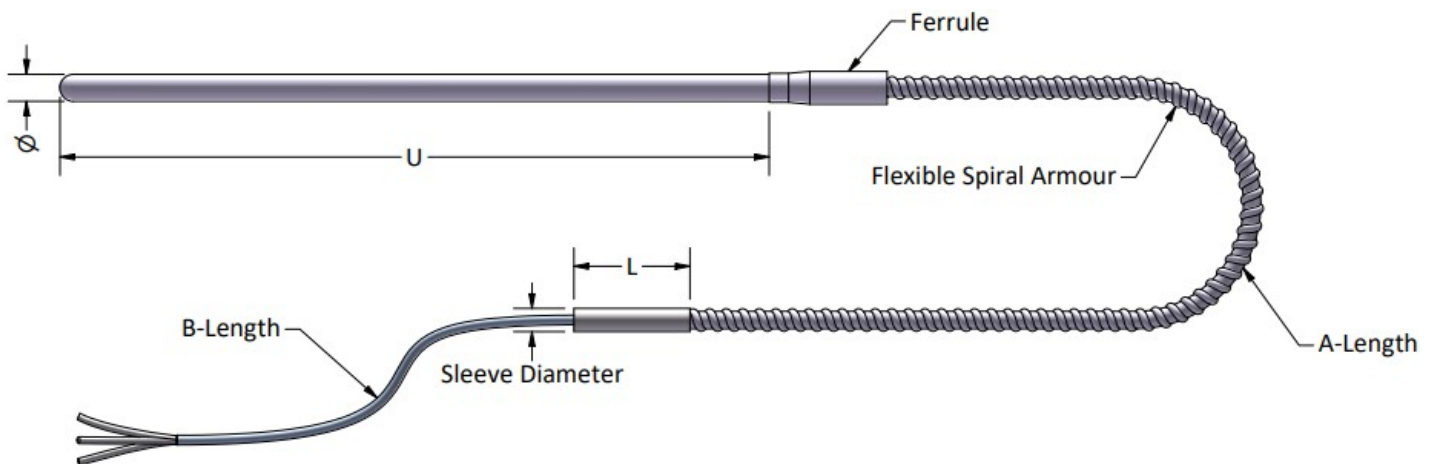
Features

Manufacturing process designed to ensure probe is sealed against moisture ingress.

- * **Custom made to any Length (U, A, L, B) and Diameter* (∅)**
- * Available in Thermocouple Type T, Type K
- * Also available in AD22100 sensors
- * 316L Stainless Steel Housing
- * Spiral Armour available for increased protection



Without Spiral Armour



With Spiral Armour

Servotech Instrumentation Ltd

6 William Pickering Drive | Rosedale | Auckland | New Zealand |

0800 737 868 www.servotech.co.nz sales@servotech.co.nz

ISO 9001
BUREAU VERITAS
Certification

