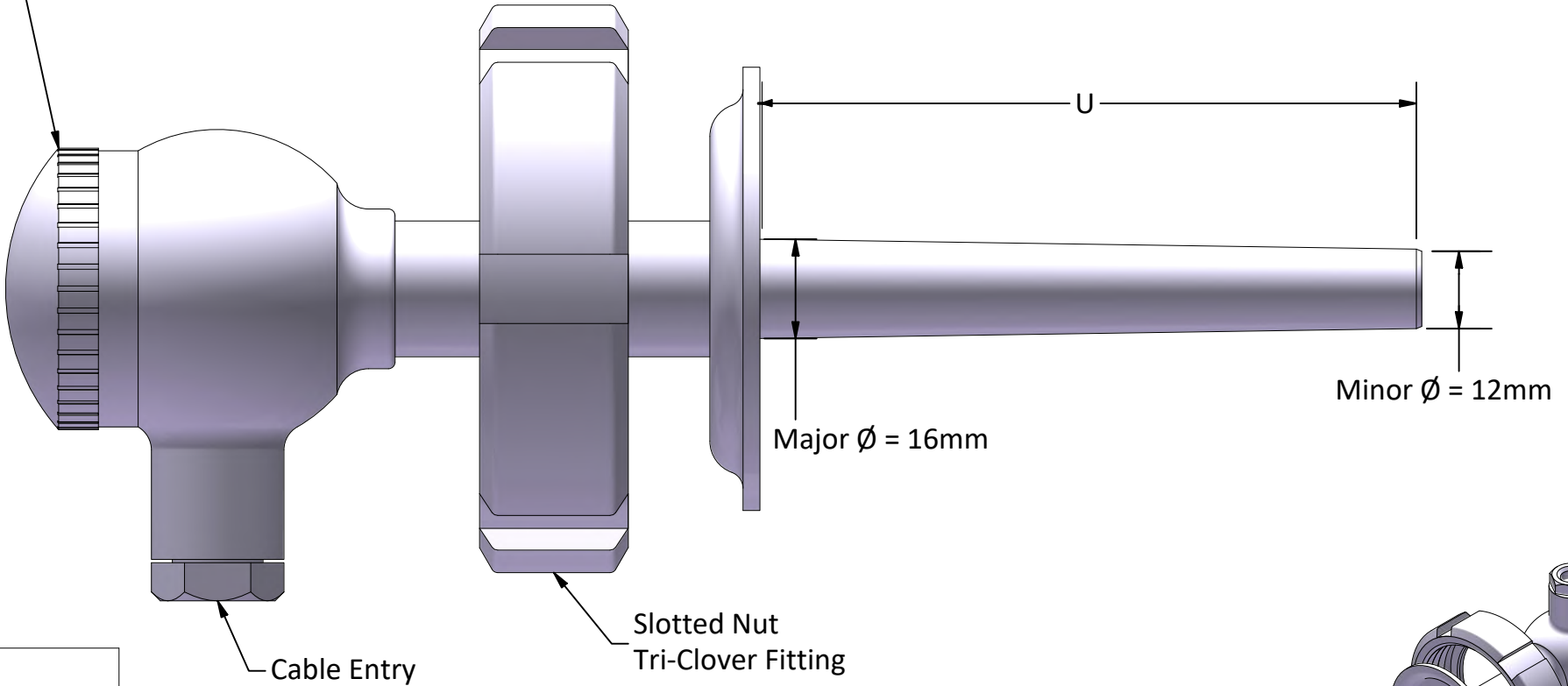


Terminal Head

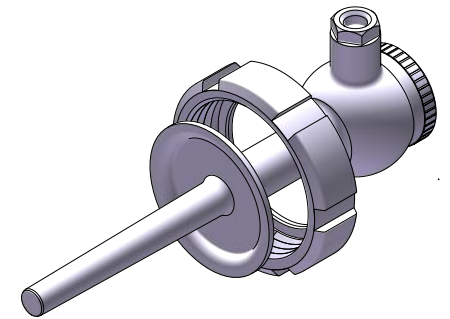


Cable Entry

Slotted Nut
Tri-Clover Fitting

Major Ø = 16mm

Minor Ø = 12mm



<u>RANGE</u>	
Min Temp: _____(°C)	
Max Temp: _____(°C)	

<u>SENSOR TYPE</u>	<u>STEM 'U'</u>	<u>HEAD MATERIAL</u>
Standard Response <input type="checkbox"/>	50mm <input type="checkbox"/>	Stainless Steel
Pt100 <input type="checkbox"/>	75mm <input type="checkbox"/>	
Pt1000 <input type="checkbox"/>	100mm <input type="checkbox"/>	
Duplex <input type="checkbox"/>	150mm <input type="checkbox"/>	
Other: _____ <input type="checkbox"/>	Other _____ <input type="checkbox"/>	

<u>RJT FITTING</u>	<u>HEAD SIZE</u>	<u>CONNECTOR</u>
1" <input type="checkbox"/> 1½" <input type="checkbox"/>	Large <input type="checkbox"/>	3 Terminal <input type="checkbox"/>
2" <input type="checkbox"/> 2½" <input type="checkbox"/>		6 Terminal, Duplex <input type="checkbox"/>
3" <input type="checkbox"/>		Other: _____ <input type="checkbox"/>
Other: _____ <input type="checkbox"/>		Transmitter <input type="checkbox"/>
		• Min: _____ Max: _____

SERVOTECH INSTRUMENTATION LTD
6 WILLIAM PICKERING DRIVE
ALBANY
AUCKLAND, NEW ZEALAND
PHONE: 64-9-415 8362
FAX: 64-9-415 8361
EMAIL: sales@servotech.co.nz
WEBSITE: www.servotech.co.nz



UNLESS OTHERWISE SPECIFIED,
ALL DIMENSIONS ARE IN mm

THIS DRAWING IS EXCLUSIVE PROPERTY
OF SERVOTECH INSTRUMENTATION LTD
AND SHOULD NOT BE COPIED OR
HAND TO OTHER PARTIES WITHOUT
PROPER PERMISSION.

TITLE: RUGGEDIZED PROBE WITH RJT FITTING	
DRAWN BY: DV	APPROVED BY: KV
DATE: 08/12/2022	
GENERIC NUMBER: R29R	A4
SCALE: NTS	MANUFACTURED IN NEW ZEALAND