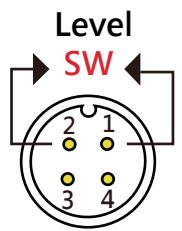
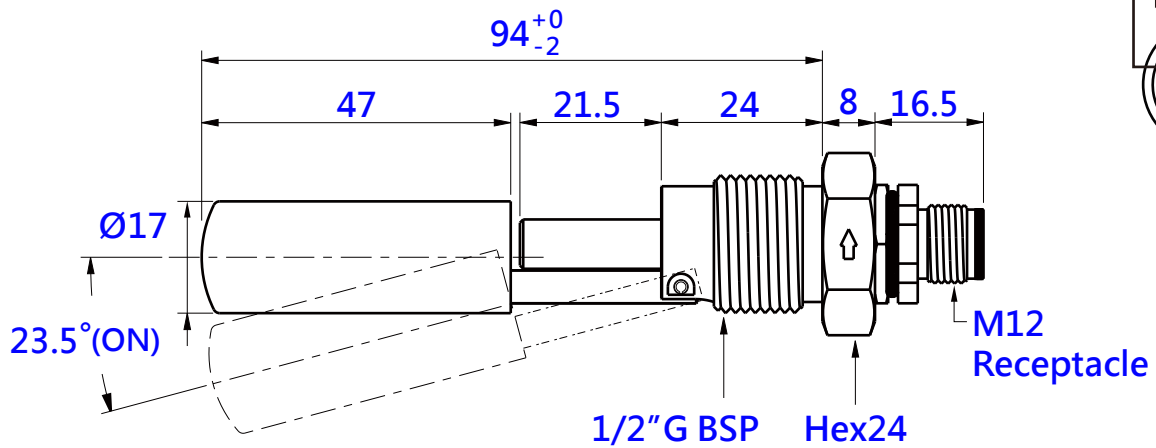
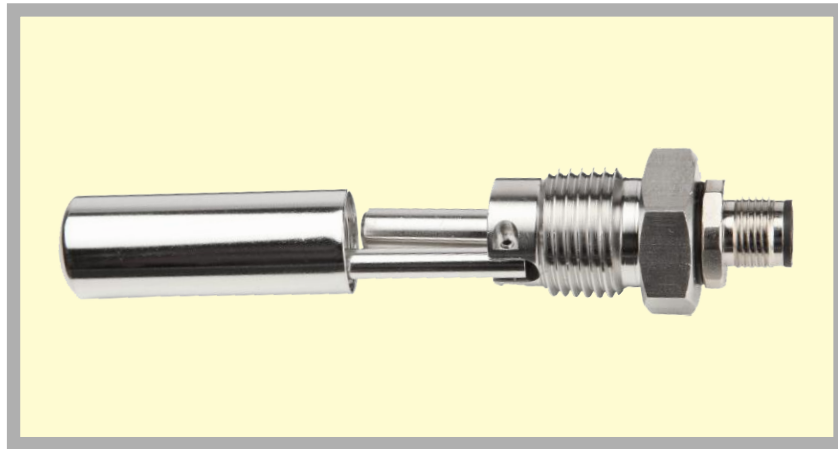


# Servotech Instrumentation Ltd



## LSFDMH16-M12

Mounting Style	External
Mounting thread	1/2" G BSP
stem	SUS304
Float	SUS316 Ø17x47
Operation Temp.	- 10°C ~ + 120°C
Max.Pressure	10 Bar
Float S.G.	0.7
Mini.Fluid S.G.	0.8
Contact Form	N/O(N/C),SPST
Switch Rating VA	50W
Switching Voltage Max.	240Vac/200Vdc
Switching Current Max.	0.5A
Carry Current Max.	1A
Connection	M12 Receptacle