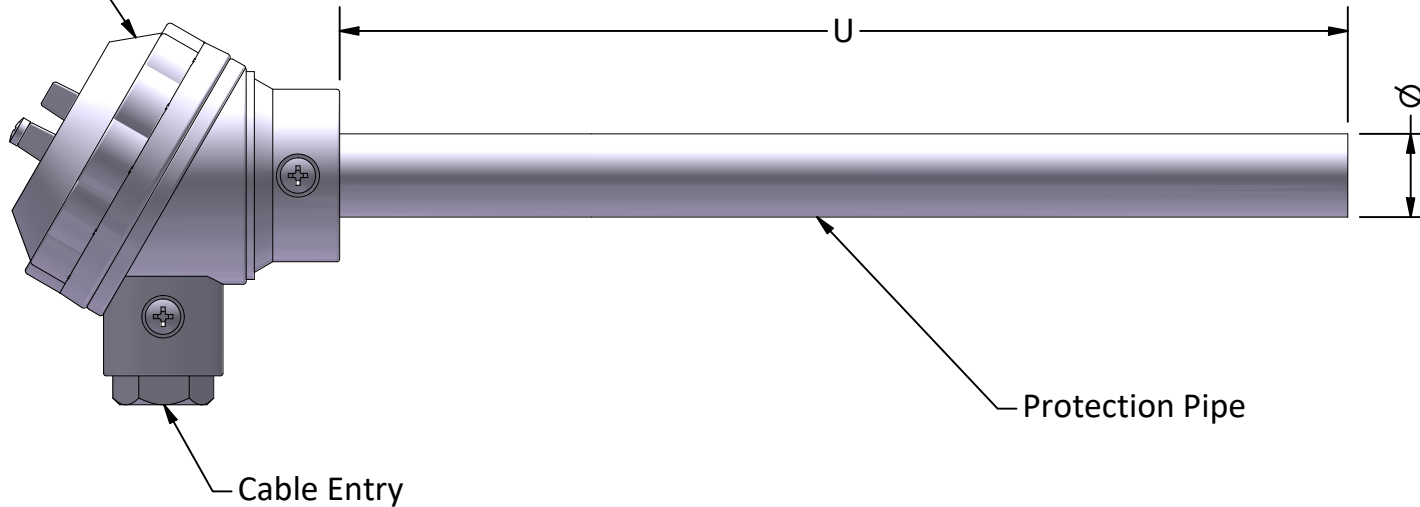
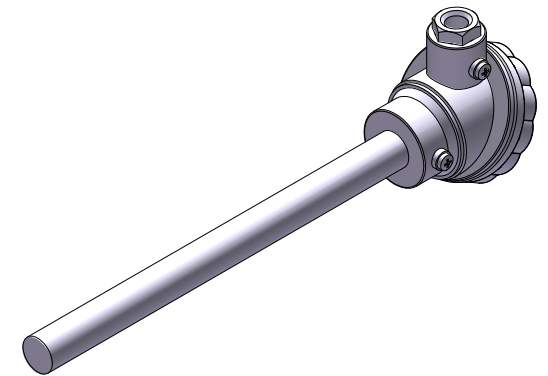


Large Terminal Head





Protection Pipe

Cable Entry



<u>RANGE</u>	<u>PIPE SIZE</u>	<u>PIPE MATERIAL</u>
Min Temp: _____ (°C)	1/4" x _____	316 SS <input type="checkbox"/>
	1/2" x _____	253MA SS <input type="checkbox"/>
Max Temp: _____ (°C)	Other: _____	Inconel 600 <input type="checkbox"/>
		Other: _____ <input type="checkbox"/>
<u>SENSOR TYPE</u>	<u>THERMOCOUPLE</u>	<u>CONNECTOR</u>
Type K <input type="checkbox"/>	6.0mm MIMS <input type="checkbox"/>	2 Terminal <input type="checkbox"/>
Type J <input type="checkbox"/>	9.5mm MIMS <input type="checkbox"/>	4 Terminal (Duplex) <input type="checkbox"/>
Type T <input type="checkbox"/>	Other: _____ <input type="checkbox"/>	Other: _____ <input type="checkbox"/>
Type N <input type="checkbox"/>		Transmitter <input type="checkbox"/>
Other: _____ <input type="checkbox"/>		• Min: _____ Max: _____

SERVOTECH INSTRUMENTATION LTD 6 WILLIAM PICKERING DRIVE ALBANY AUCKLAND, NEW ZEALAND PHONE: 64-9-415 8362 FAX: 64-9-415 8361 EMAIL: sales@servotech.co.nz WEBSITE: www.servotech.co.nz			
			TITLE: THERMOCOUPLE PROBE WITH PROTECTION PIPE
UNLESS OTHERWISE SPECIFIED, ALL DIMENSIONS ARE IN mm	DRAWN BY: DV	APPROVED BY: KV	DATE: 20/12/2022
THIS DRAWING IS EXCLUSIVE PROPERTY OF SERVOTECH INSTRUMENTATION LTD AND SHOULD NOT BE COPIED OR HANDED TO OTHER PARTIES WITHOUT PROPER PERMISSION.	GENERIC NUMBER:		A4
	T09		MANUFACTURED IN NEW ZEALAND
SCALE: NTS	MANUFACTURED IN NEW ZEALAND		